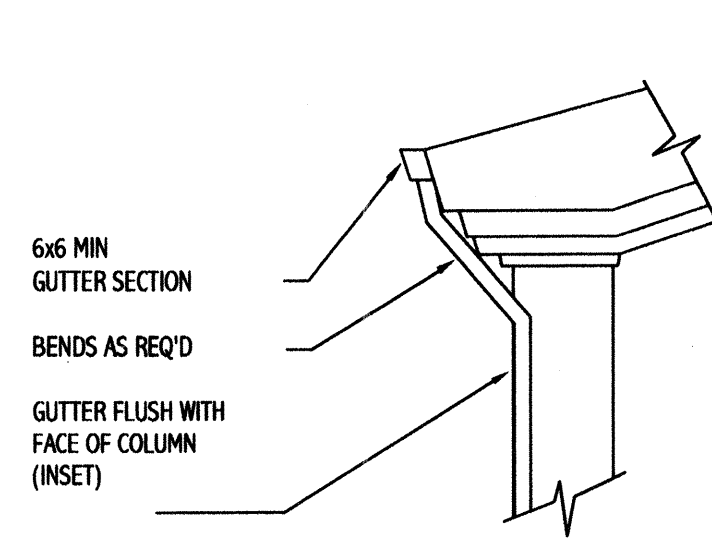
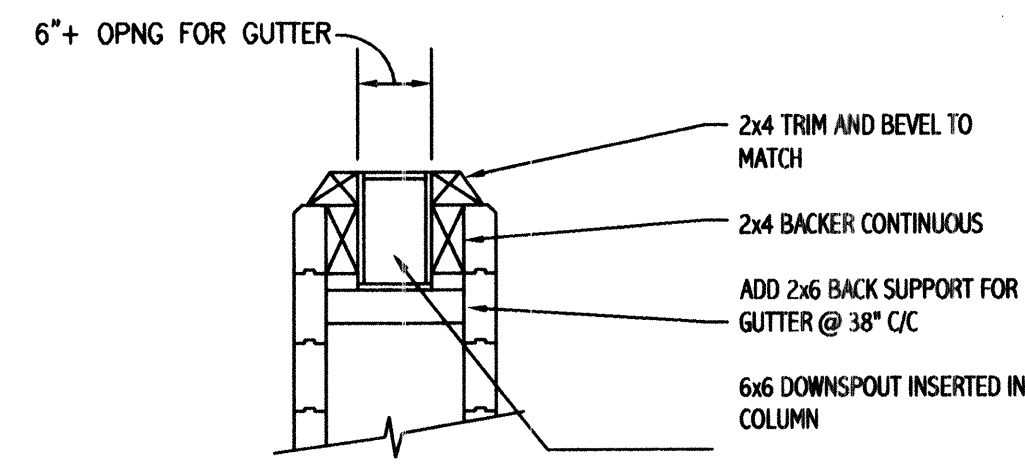


EXISTING PORCH COLUMN SECTION
9 LOCATIONS

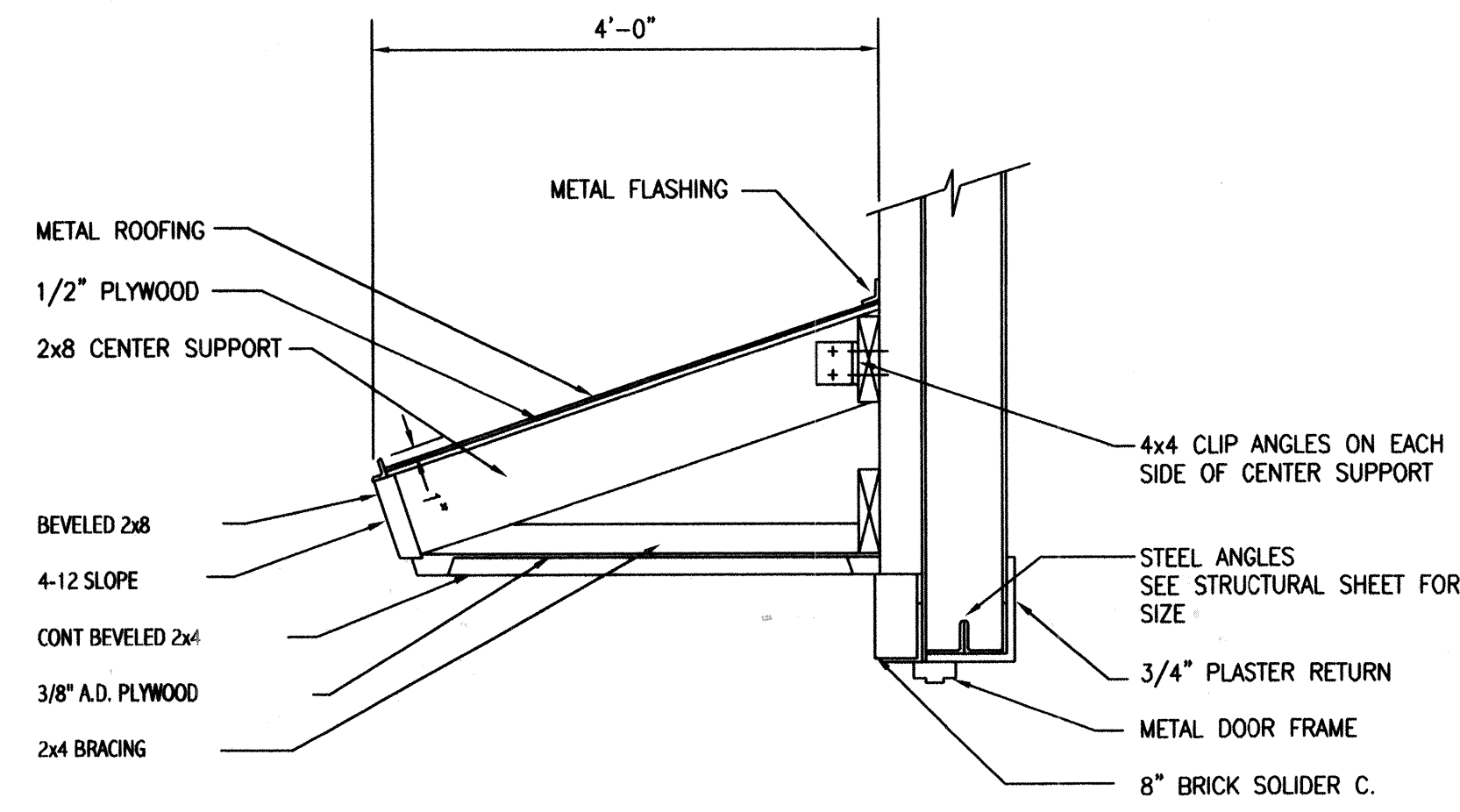


ELEVATION AT CORNER COLUMN

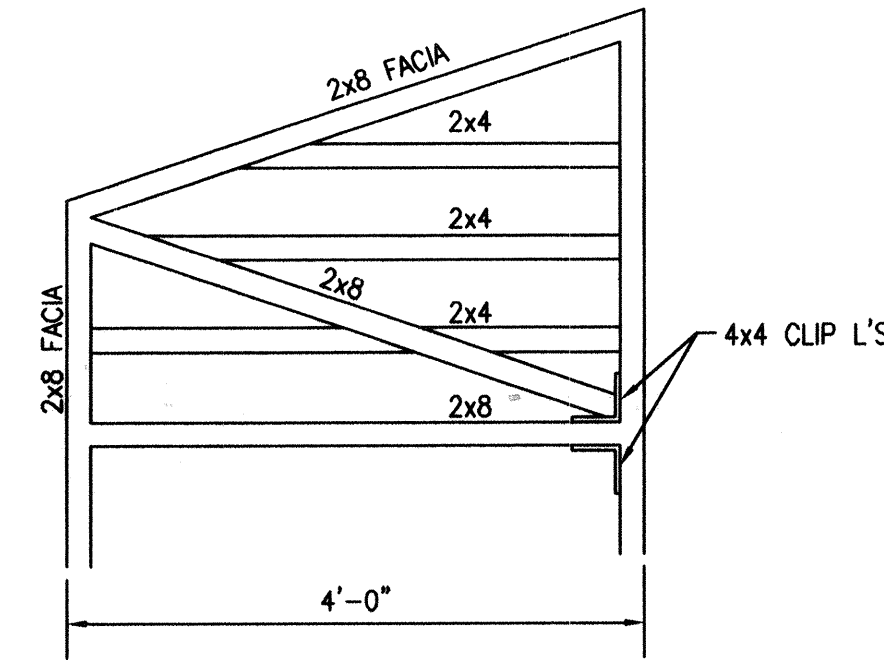
NEW DOWNSPOUT DETAILS



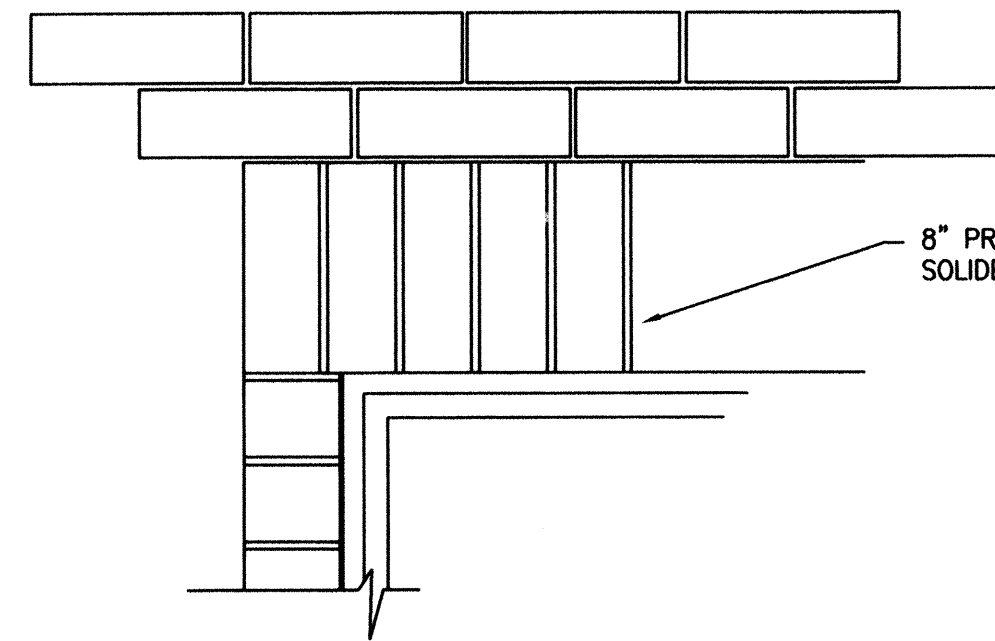
INSERTED DOWNSPOUT DETAIL



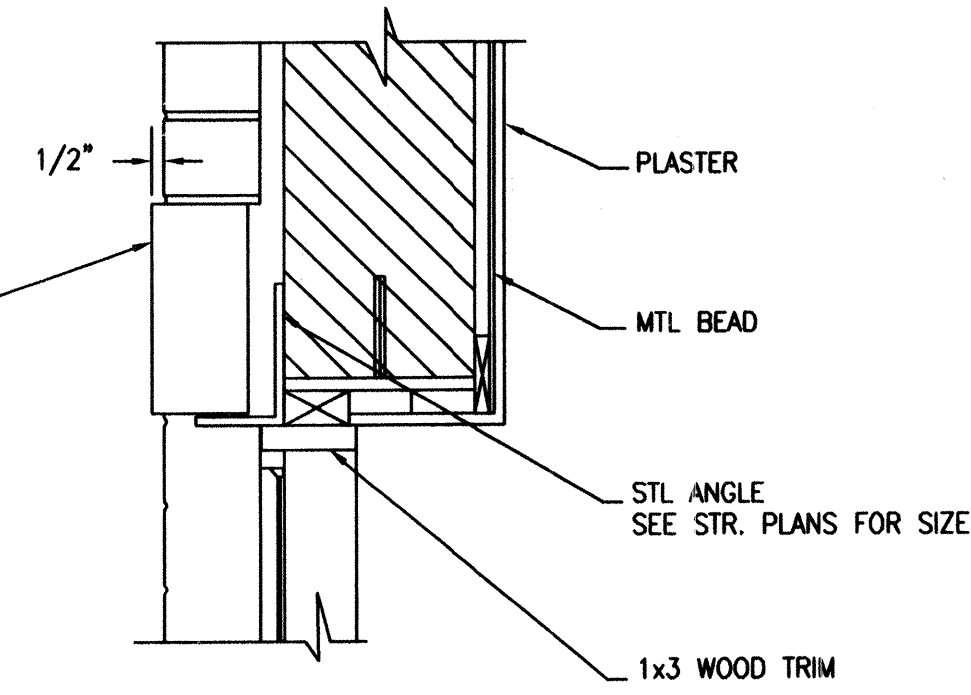
SEC 3-A CANOPY DETAIL
3/4"=1'-0"



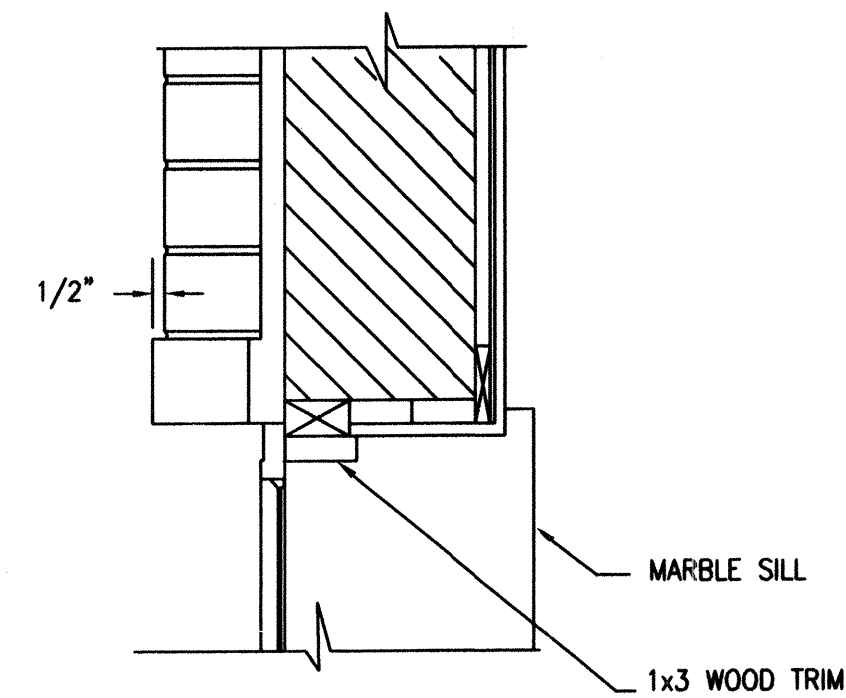
CANOPY FRAMING PLAN
3/4"=1'-0"



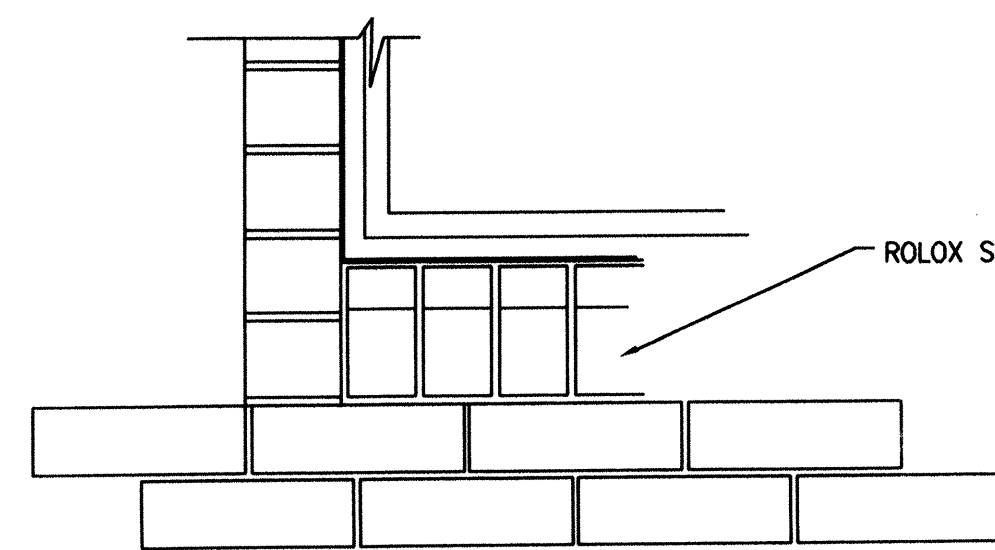
HEAD ELEVATION



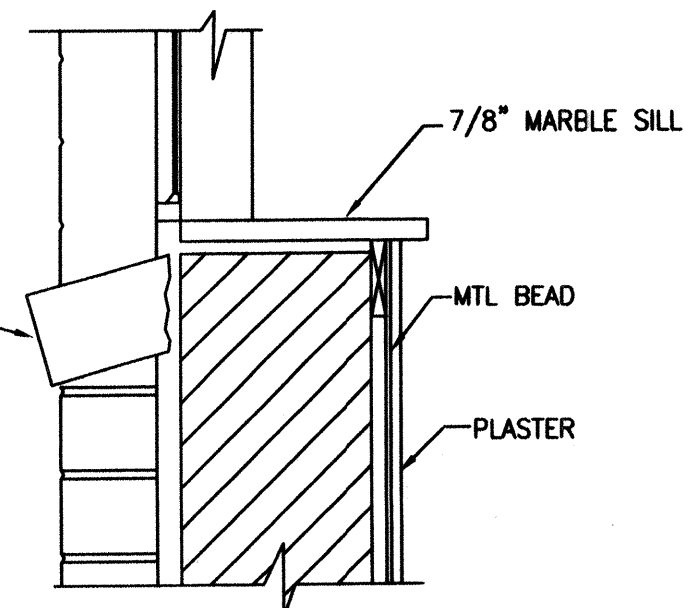
HEAD SECTION



JAMB PLAN



SILL ELEVATION

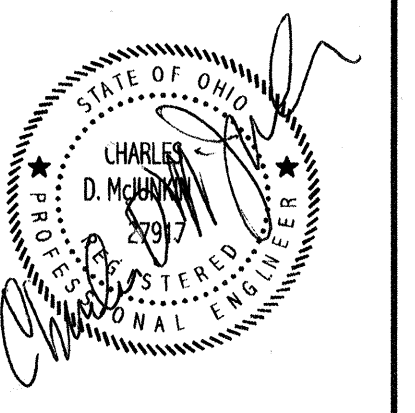


SILL SECTION

TYPICAL CASEMENT WINDOW DETAILS IN MASONRY
1 1/2"=1'-0"

REVISIONS	
NO.	DATE

McJUNKIN ENGINEERING, INC.
Civil-Environmental-Municipal
Engineering and Surveying
555 West Schrock Rd., Suite E.
Westerville, Ohio 43081
(614) 523-0044 Fax (614) 895-5650



Charles D. McJunkin

REMODELING
at
1892 Indianola Ave,
Columbus, Ohio

DRAWING TITLE

SECTIONS AND DETAILS

SCALE: AS NOTED
DATE: JAN 23, 2003
DRAWN BY: PS

DRAWING NUMBER

FILE NAME
JOB NUMBER
SHEET

A8a

Sheet 3 of 3
Don Ber
Final Gp4
4/15/03

Joe Stewart-Wagner 1-27-03

2003-02-28
GAC09-02-28
(3) 2/19/03