



Evans, Mechwart, Hambleton & Tilton, Inc.
 Engineers • Surveyors • Planners • Scientists
 5500 New Albany Road, Columbus, OH 43034
 Phone: 614.775.4500 Toll Free: 888.775.3448
 emht.com

ENCROACHMENT EASEMENT

LOCATED IN
 VIRGINIA MILITARY SURVEY NUMBER 1393
 CITY OF COLUMBUS, COUNTY OF FRANKLIN, STATE OF OHIO

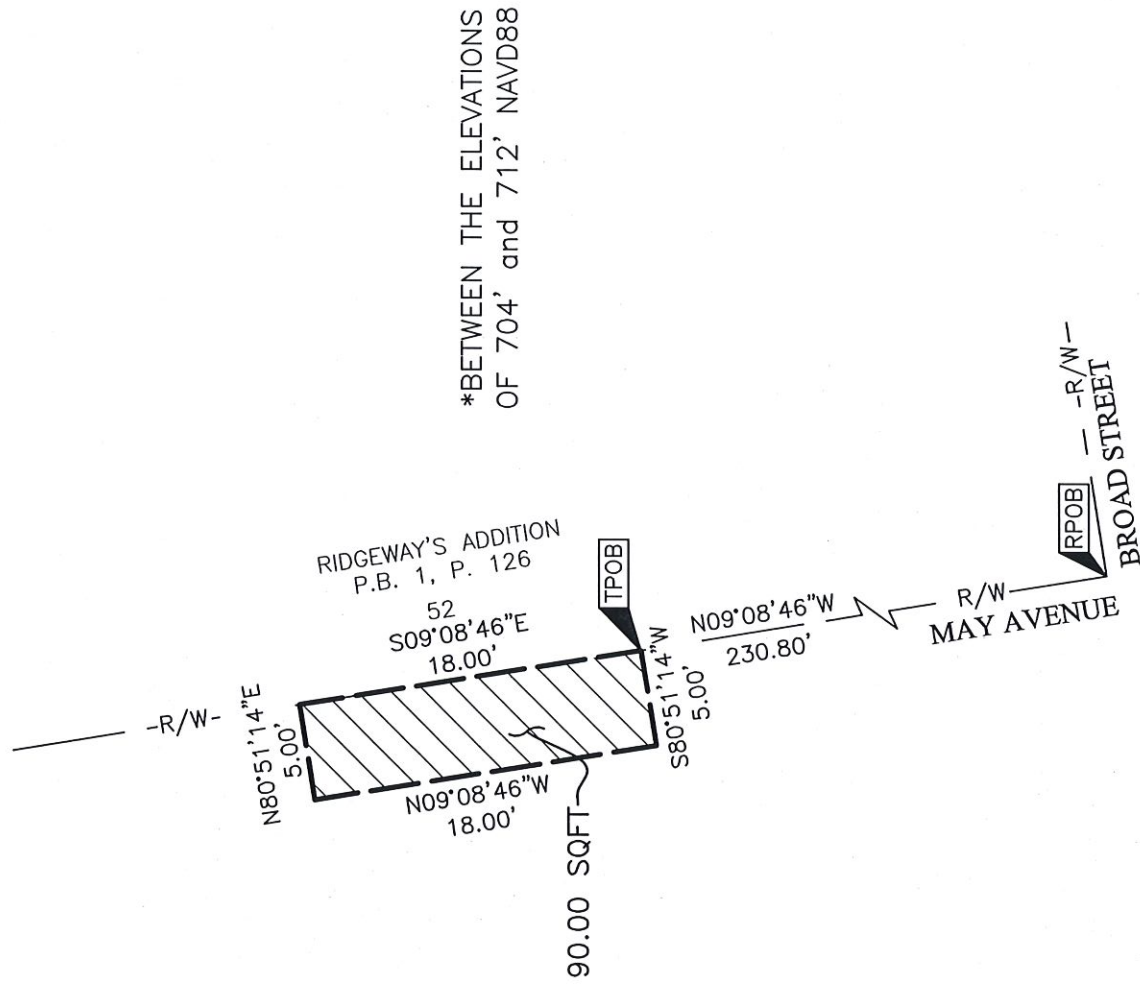
Date: March 28, 2018

Job No: 2016-0691

Scale: 1" = 10'



GRAPHIC SCALE (in feet)



By: *John C. Dodgion*
 John C. Dodgion
 Professional Surveyor No. 8069
 Date: 03/29/2018