

EXHIBIT A: SCOPE OF SERVICES

EXHIBIT A: SCOPE OF SERVICES

1. QUOTE AND KEY CABINET CONFIGURATIONS – APPENDIX 1

As per the quote, please note that each system has a solid steel door. The Key Cabinet Configuration shows the clear door, however this is for illustrative purposes only.

Payment terms: An invoice will be sent for a 50% deposit net 30, the remaining balance of 50% will be invoiced net 30 upon delivery. Taxes not applicable.

2. INSTALLATION, TRAINING AND SUPPORT OUTLINE

2.1. Upon receipt of Customer PO, within 24-48 hours:

Mike Briggs, Director of IT/Client Services, will contact the City of Columbus and discuss cabinet locations, area requirements, power requirements and discuss all pre-installation requirements that need to be met prior to the equipment arrival:

- Cabinet drawing, specifications and technical requirements have been included in the contract, however; we can email them to any additional staff upon requirement.
- Key Tracer is happy to advise on all power and data requirements per location but will require the City of Columbus to provide power and data for each location.
- Mike will also be available to answer any ongoing questions or provide additional information as needed during this time.

2.2. Key Tracer will place the order for all the equipment and advise the client on a delivery date:

- Delivery is approximately 6-8 weeks depending on availability.
- Please note if the City of Columbus is working on a specific date to go live, we will do our best to meet that date.

2.3. Upon confirmation of delivery date of equipment:

- Mike Briggs will contact the City of Columbus to confirm onsite installation and training dates per location.
- Please note all pre-installation requirements must be met prior to our arrival with written notice as per Section 3.

3. MANDATORY PRE-INSTALLATION REQUIREMENTS

All of the following requirements must be satisfied prior to onsite installation. Customer to provide written notice by email to Mike Briggs (mikeb@keytracer.com) once completed. If the pre-installation requirements are not met prior to the onsite installation dates, additional charges will apply.

3.1. Technical Requirements and Overview – Appendix 2.

Please review all technical requirements.

3.2. Custom Interface Application:

Custom Integration to Asset Works (Wireless Matrix Fleet Outlook Systems) has been discussed with a conference call. The specifics, requirements and scope of work with this customization is still to be determined by the City of Columbus and Key Tracer.

3.3. Power and Data Requirements:

- Each cabinet requires one power supply. This can be hard wired into the cabinet at the time of installation or we can plug into a standard (110V) electrical outlet (cabinet only uses 13.8 V/DC, max 2.0A).
- We will also need one data connection. This can be a cat 5 cable to plug directly into the cabinet or a standard RJ45 port on the wall to plug into. We'll need one IP address for each cabinet as well
- There is a cutout for power and data cables to run into the back of the cabinet to prevent any exposed wiring.

3.4. Card Reader Requirements:

- Key Tracer requires two City of Columbus employee sample cards to determine the card reader for each key cabinet. They do not have to be active cards however they must be the card type used with each key system location.
- If more than one card type is going to be used, we will need samples of every card type with specification of which system it will be used in.
- The system cannot be ordered until we have received the sample employee cards at our office. Please send to the attention of:

Leigh Smith
16-1833 Coast Meridian Rd
Port Coquitlam, BC
V3C 6G5 Canada

APPENDIX 1: QUOTE AND KEY CABINET CONFIGURATIONS



Quotation

City Of Columbus
RFP# SA005016

July 14, 2013

Part #	Qty	Description	Unit Price	Ext. Price
910 Dublin Road				
		Distribution - 96 Key System		
1		1 Medium, 12U, 4 Panel Cabinet with Steel Door:	\$11,545.00	\$11,545.00
3		32 Key Panel (3U) containing 32 Key tags, rings & seals		
1		Blank Panel for Future Expansion (96 Illuminating Key Tag Positions in Total)		
		Engineering - 16 Key System	\$5,830.00	\$5,830.00
1		1 Small, 3U, 1 Panel Cabinet with Steel Door:		
1		16 Key Panel (3U) containing 16 Key tags, rings & seals (16 Illuminating Key Tag Positions in Total)		
		Control Center - 32 Key System	\$6,430.00	\$6,430.00
1		1 Small, 3U, 1 Panel Cabinet with Steel Door:		
1		32 Key Panel (3U) containing 32 Key tags, rings & seals (32 Illuminating Key Tag Positions in Total)		
		Building Maintenance - 16 Key System	\$5,830.00	\$5,830.00
1		1 Small, 3U, 1 Panel Cabinet with Steel Door:		
1		16 Key Panel (3U) containing 16 Key tags, rings & seals (16 Illuminating Key Tag Positions in Total)		
		Lab - 8 Key System	\$5,455.00	\$5,455.00
1		1 Small, 3U, 1 Panel Cabinet with Steel Door:		
1		8 Key Panel (3U) containing 8 Key tags, rings & seals (8 Illuminating Key Tag Positions in Total)		
		Garage - 192 Key System	\$18,950.00	\$18,950.00
1		1 Large, 24U, 8 Panel Cabinet with Steel Door:		
6		32 Key Panel (3U) containing 32 Key tags, rings & seals		
2		Blank Panels for Future Expansion (192 Illuminating Key Tag Positions in Total)		
Hoover 7600 Sunbury Rd				
		Watershed - 32 Key System	\$6,430.00	\$6,430.00
1		1 Small, 3U, 1 Panel Cabinet with Steel Door:		
1		32 Key Panel (3U) containing 32 Key tags, rings & seals (32 Illuminating Key Tag Positions in Total)		
Griggs - 3155 Riverside Drive				
		Watershed - 16 Key System	\$5,830.00	\$5,830.00
1		1 Small, 3U, 1 Panel Cabinet with Steel Door:		
1		16 Key Panel (3U) containing 16 Key tags, rings & seals (16 Illuminating Key Tag Positions in Total)		
Bell Point - 4544 State Route 257				
		Watershed - 8 Key System	\$5,455.00	\$5,455.00
1		1 Small, 3U, 1 Panel Cabinet with Steel Door:		
1		8 Key Panel (3U) containing 8 Key tags, rings & seals (8 Illuminating Key Tag Positions in Total)		
3500 Indianola Ave				
		Field Services (Customer Services) - 96 Key System	\$11,545.00	\$11,545.00
1		1 Medium, 12U, 4 Panel Cabinet with Steel Door:		
3		32 Key Panel (3U) containing 32 Key tags, rings & seals		
1		Blank Panel for Future Expansion (96 Illuminating Key Tag Positions in Total)		
		Power - 64 Key System	\$9,265.00	\$9,265.00
1		1 Small, 6U, 2 Panel Cabinet with Steel Door:		
2		32 Key Panel (3U) containing 32 Key tags, rings & seals (64 Illuminating Key Tag Positions in Total)		
		Garage - 192 Key System	\$18,950.00	\$18,950.00
1		1 Large, 24U, 8 Panel Cabinet with Steel Door:		
6		32 Key Panel (3U) containing 32 Key tags, rings & seals		
2		Blank Panels for Future Expansion (192 Illuminating Key Tag Positions in Total)		
1250 Fairwood Ave				
		Construction - 48 Key System	\$8,885.00	\$8,885.00
1		1 Small, 6U, 2 Panel Cabinet with Steel Door:		
1		32 Key Panel (3U) containing 32 Key tags, rings & seals		
1		16 Key Panel (3U) containing 16 Key tags, rings & seals (48 Illuminating Key Tag Positions in Total)		
		Complaints and TV - 32 Key System	\$6,430.00	\$6,430.00
1		1 Small, 3U, 1 Panel Cabinet with Steel Door:		
1		32 Key Panel (3U) containing 32 Key tags, rings & seals (32 Illuminating Key Tag Positions in Total)		

1	Power Cleaning - 32 Key System		
1	1 Small, 3U, 1 Panel Cabinet with Steel Door:	\$6,430.00	\$6,430.00
1	32 Key Panel (3U) containing 32 Key tags, rings & seals (32 Illuminating Key Tag Positions In Total)		
1	Miscellaneous - 48 Key System		
1	1 Small, 6U, 2 Panel Cabinet with Steel Door:	\$6,665.00	\$6,665.00
1	32 Key Panel (3U) containing 32 Key tags, rings & seals		
1	16 Key Panel (3U) containing 16 Key tags, rings & seals (48 Illuminating Key Tag Positions In Total)		
1	Garage - 192 Key System		
1	1 Large, 24U, 8 Panel Cabinet with Steel Door:	\$18,950.00	\$18,950.00
6	32 Key Panel (3U) containing 32 Key tags, rings & seals		
2	Blank Panels for Future Expansion (192 Illuminating Key Tag Positions In Total)		
7000 Jackson Pike (S.R. 104)			
1	Compost - 16 Key System		
1	1 Small, 3U, 1 Panel Cabinet with Steel Door:	\$5,830.00	\$5,830.00
1	16 Key Panel (3U) containing 16 Key tags, rings & seals (16 Illuminating Key Tag Positions In Total)		
1	All Systems Include:		
1	Access Terminal with administration card		
1	De-sealing tool		
1	Commander Software		
1	DigiConnect TCP/IP Ethernet Module		
1	Card Reader - read your existing access control cards		
Additional Notes			
8	Technical Services, Onsite Installation, Training and Travel Expense	\$800.00	\$6,400.00
1	Shipping - 18 Systems	\$1,200.00	\$1,200.00
TOTAL QUOTE			\$174,085.00
*All quotes do not include cabling.			

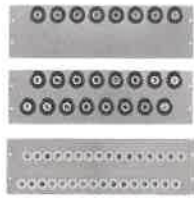
Customer is responsible for any/all wiring for power supply,
network connection hookups and does not include cabling

All prices in USD Dollars, plus shipping/handling and taxes (FOB Manassas, VI)
Quote valid for 180 days.
Payment terms: An invoice will be sent for a 50% deposit net 30, the remaining balance of 50% will be invoiced net 30 upon
delivery. Taxes not applicable.
Based on General Conditions of Sales of CTS Inc
2 Year Limited Warranty

CTS Inc
18-1833 Coast Meridian Rd
Port Coquitlam, BC V3C 6G5
www.keytrac.com
Tel: 604-941-8463
Fax: 604-941-8480

Key Cabinet Configurations

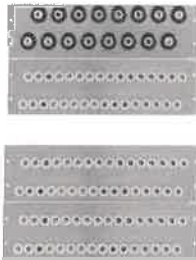
8, 16 and 32 Key Systems



Each Key Panel fits into this 1 panel cabinet



48 and 64 Key System



All Key Panel fit into this 2 panel cabinet



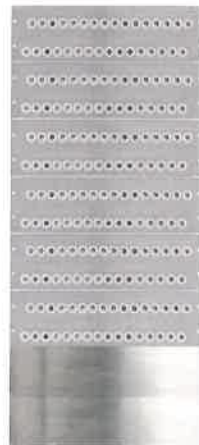
96 Key System



All Key Panels fit into this 4 panel cabinet



192 Key System



All Key Panels fit into this 8 panel cabinet



APPENDIX 2: TECHNICAL REQUIREMENTS & OVERVIEW

Infrastructure Overview

The KeyTracer software is installed in a central location such as a server, virtual machine or standalone PC. KeyTracer does not provide this server/PC hardware or the operating system.

On this server will be the communication engine which polls the cabinet(s) for new events, as well the SQL database where everything is stored. This does not necessarily need to be a dedicated machine that houses only this application.

If there is an existing SQL database server, this can be used in lieu of the SQL installation that comes with the install package.

The software runs a web service (using Apache TomCat) so there is no client-side installation required. Any user requiring access to view the application to assign keys, add users, run reports, etc. can do this using the server name or IP address through their web browser.

Multiple PCs can be logged in through the web browser simultaneously and there are no practical limits relating to licensing or otherwise.

Software Overview

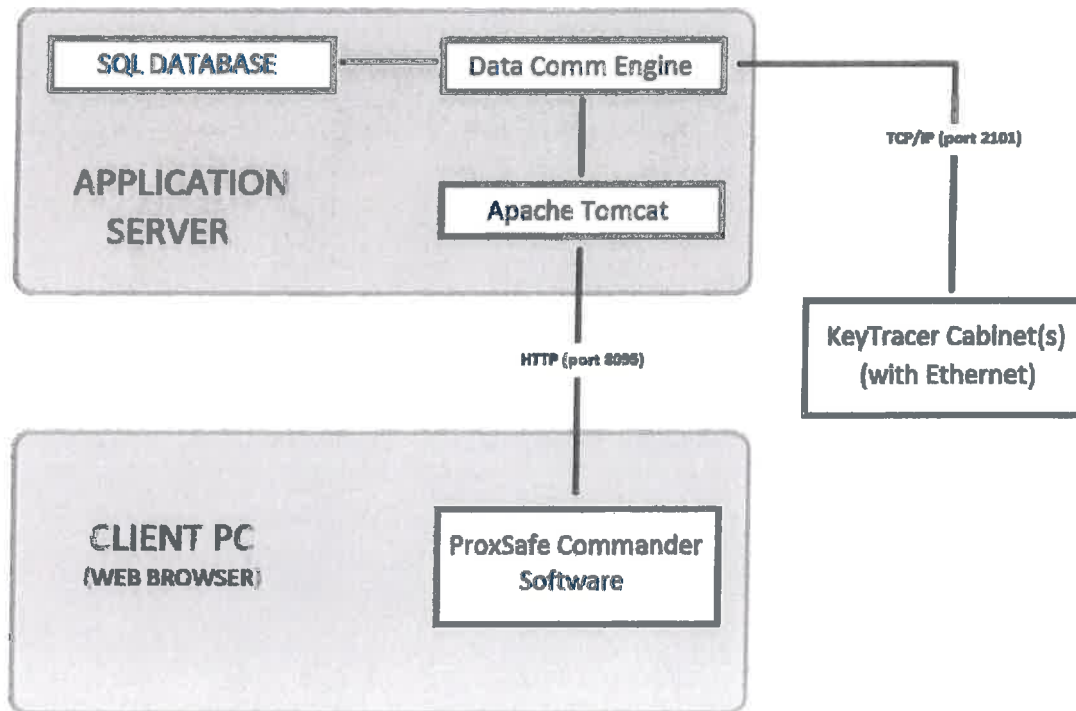
All requirements for maintaining the software installation are listed below.

1. Operating System (32 or 64-bit)
 - a. Windows XP (SP2 and higher)
 - b. Windows Server 2003 (SP1 and higher)
 - c. Windows VISTA (SP1 and higher)
 - d. Windows 7
 - e. Windows Server 2008 R2
2. Hardware
 - a. Intel or compatible PC/Server 2GHz
 - b. Minimum 2GB RAM
 - c. LAN switch with TCP/IP connection
3. Web browser (for client PCs)
 - a. Firefox 3.x
 - b. Internet Explorer 8.0
 - c. Opera 10.0
4. Pre-Requisites (included with install package)
 - a. Java Development Kit 6 Update 31
 - b. Microsoft .NET Framework 2.0 SP2
 - c. SQL Express 2005 SP2
 - d. Apache Tomcat 6.0.26 Server

Communication

- Communication to server from client PC uses default port 8095 or secure port 8443. Both ports are customizable.
- Communication between systems and server uses TCP port 2101 or, with encryption enabled, 2601.
- Database connectivity with SQL Server utilizes ODBC via Mixed Mode authentication

Architecture



Cabinet Installation and Wiring

Upon confirmation of the necessary power and data cabling requirements at the cabinet location(s) the system can be installed and wired. All requirements are available by request from KeyTracer prior to installation date. Cabinet Installation and Wiring will proceed as follows:

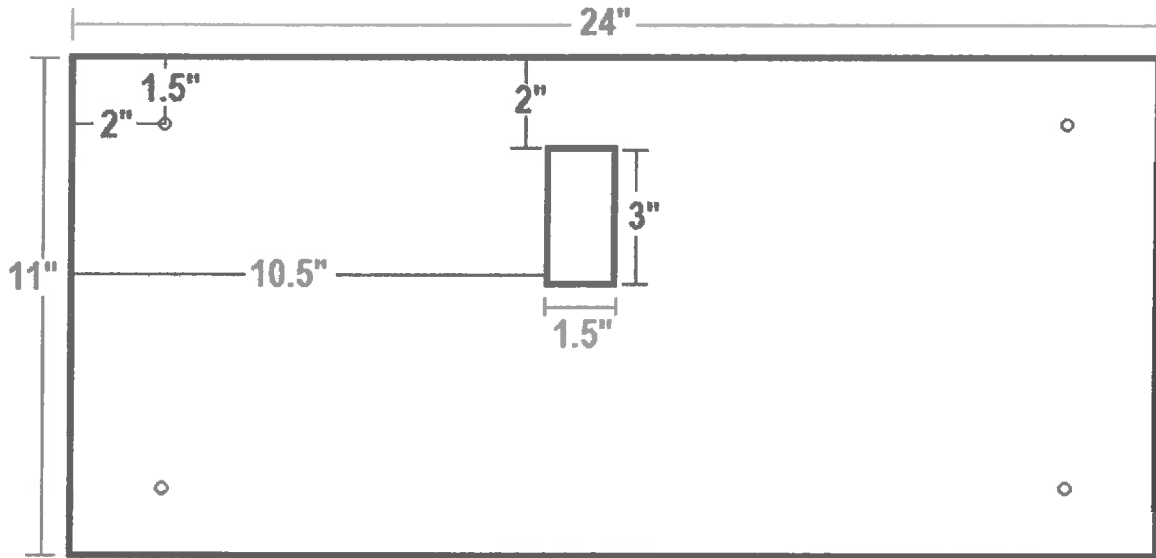
1. If required, wire and mount the appropriate external reader. This may be a card reader, biometric reader, or other.
2. Mount physical cabinet on the wall. The system uses a bracket which gets mounted first and the cabinet then hangs on this bracket, finally the cabinet is then secured to the wall.
3. Complete installation of internal components and required wiring connections (key panels, Ethernet module, terminal)
4. Place all keyTags in the empty positions in the cabinet.
5. Power on system and complete initialization (teaching of keyTags, cabinets).
6. Ensure proper functionality of initialized system. Proper functionality includes confirming keyTags can be removed and returned as expected as well as the correct alignment of door latch and strike to ensure appropriate behavior.
7. Program IP address on Ethernet module and test communication.
8. Check firmware version of cabinet and upgrade to the latest version (if necessary). Items 7 and 8 are completed with a laptop and direct connection. This laptop does not need to be provided by the client as long as KeyTracer is permitted to bring a laptop on site for testing purposes.
9. Upon confirmation of proper communication, connect Ethernet module to on-site network via provided data port/cable and then power cycle the system.

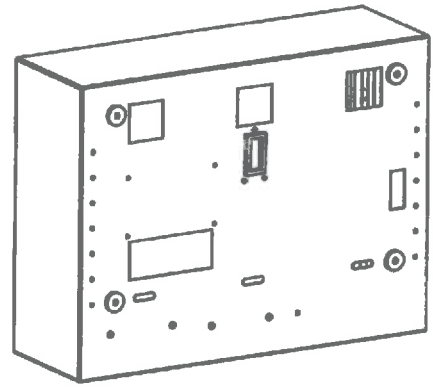
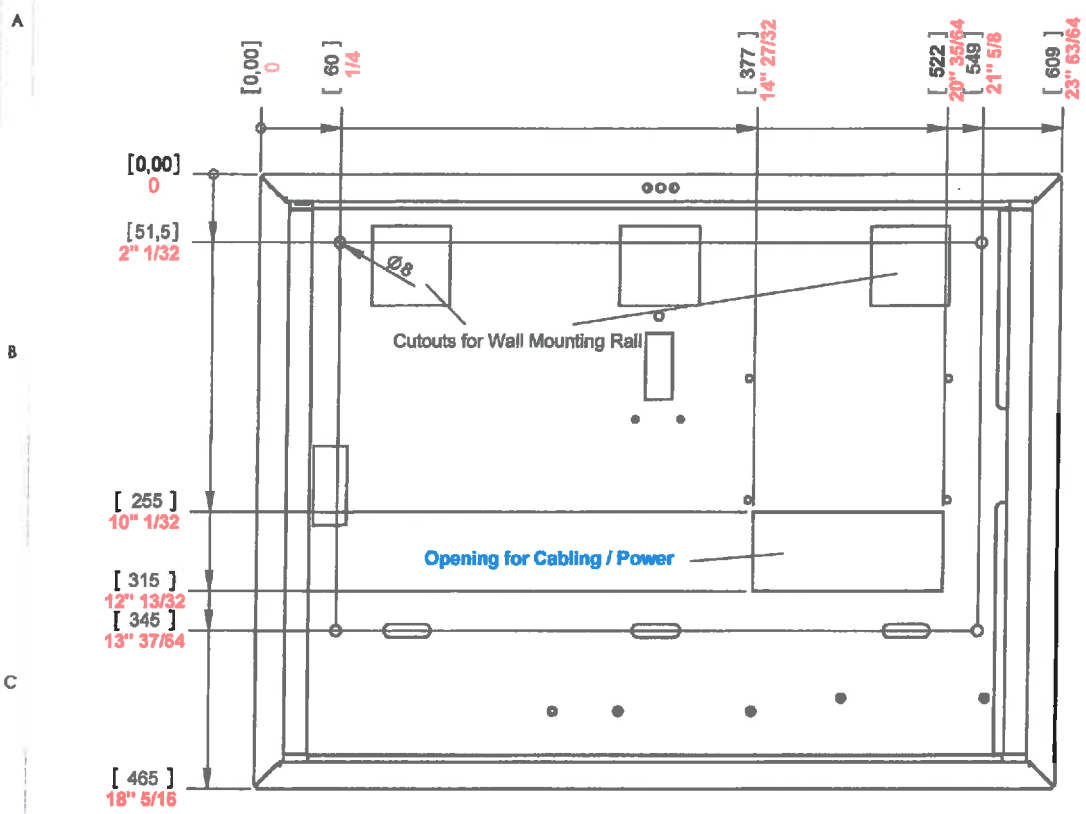
Software Installation

Upon confirmation of a server or PC that meets all software requirements the installation of the application can be completed. All requirements can be obtained from KeyTracer prior to installation date. Software installation will proceed as follows:

1. If an existing SQL database is being used, a blank database will need to be created. If the database included with the software will be used, the installation can be started.
2. The install package will automatically determine which of the prerequisites are needed on the server or PC, these will be installed first.
3. Upon completion of the prerequisites, the main software installation will begin. As part of this process the appropriate database parameters will need to be entered. The installer will then complete all required install tasks automatically.
4. Once the installation is complete the "DataCommEngine" will be configured. This includes adding the new cabinet into the database, setting default settings and parameters for the system, and ensuring the card or biometric data will be read properly (if required).
5. After all configuration is complete in "DataCommEngine" and settings have been confirmed, test ProxSafe Commander application. This test ensures access to software is permitted through web browser and that all settings from the cabinet have been stored in database appropriately.
6. Upon confirmation that all aspects of software installation are tested and working the "Windows Services" will be enabled and started. This will leave the server or PC in the default state it will typical be in while running the software.

3U SPECIFICATIONS





Key Tracer, CTS Inc.

Tel: 1 604 941 8483
Fax: 1 640 941 8480

Scale: 1:5

Material :

All RED Dimensions are in Inches
All Dimensions are in mm
UNLESS OTHERWISE SPECIFIED:
TOLERANCES: max 0.1mm

No.	Items Drawing	Norm.	Date	Name
			11/10/2008	

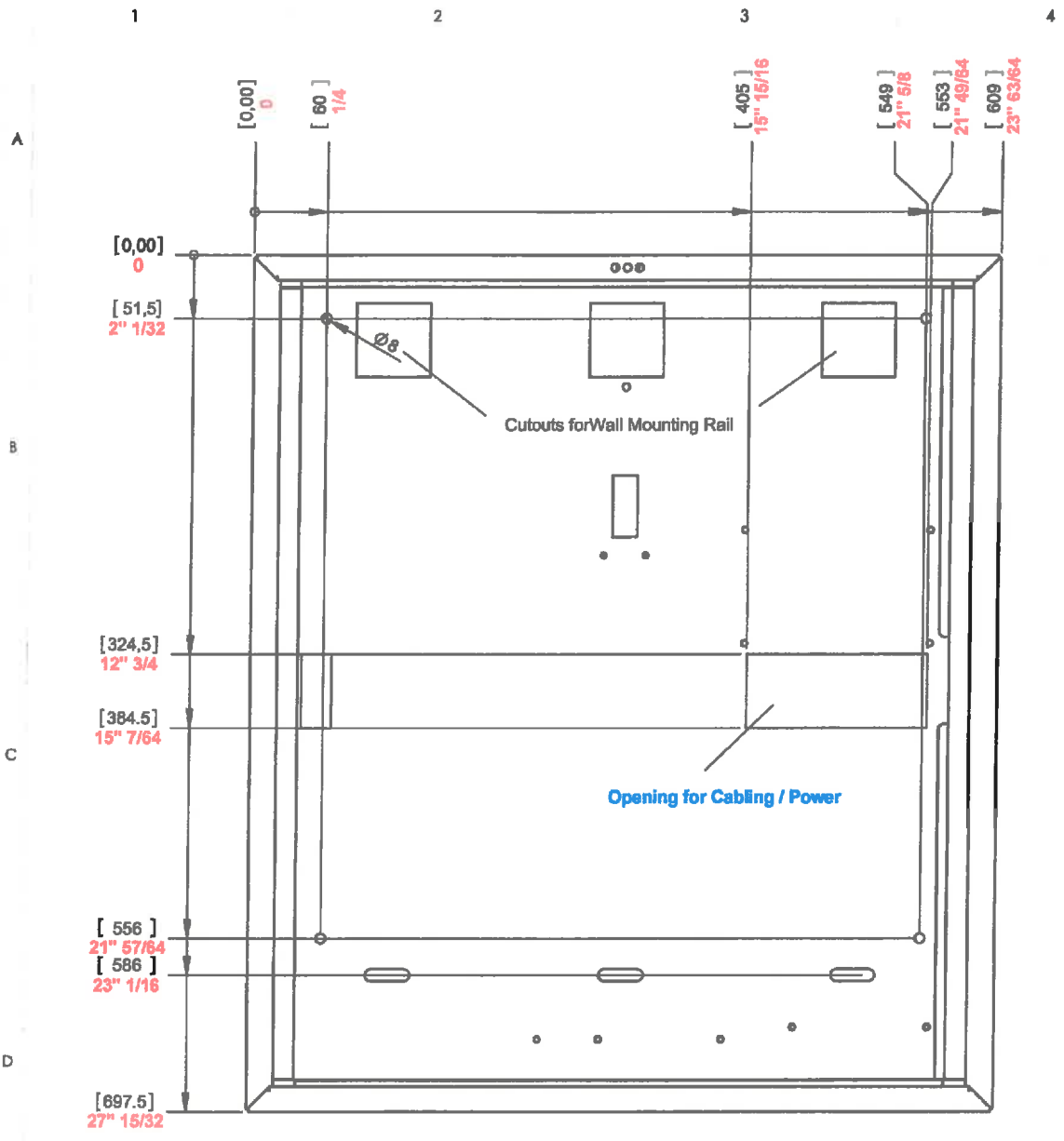
Name:

Montage Flexx-6HE
(Small)

Date:

Sheet 1 OF 1

DO NOT SCALE DRAWING



Key Tracer, CTS Inc.

Tel: 1 604 941 8463
Fax: 1 604 941 8480

No. Items
Drawing

Norm.

Date Name
11/10/2008

Scale: 1:5

Material :

Name:

Montage Flexx-12HE
(Medium)

All RED Dimensions are in Inches
All Dimensions are in mm
UNLESS OTHERWISE
SPECIFIED:
TOLERANCES: max 0.1mm

Date:

Sheet 1 OF 1

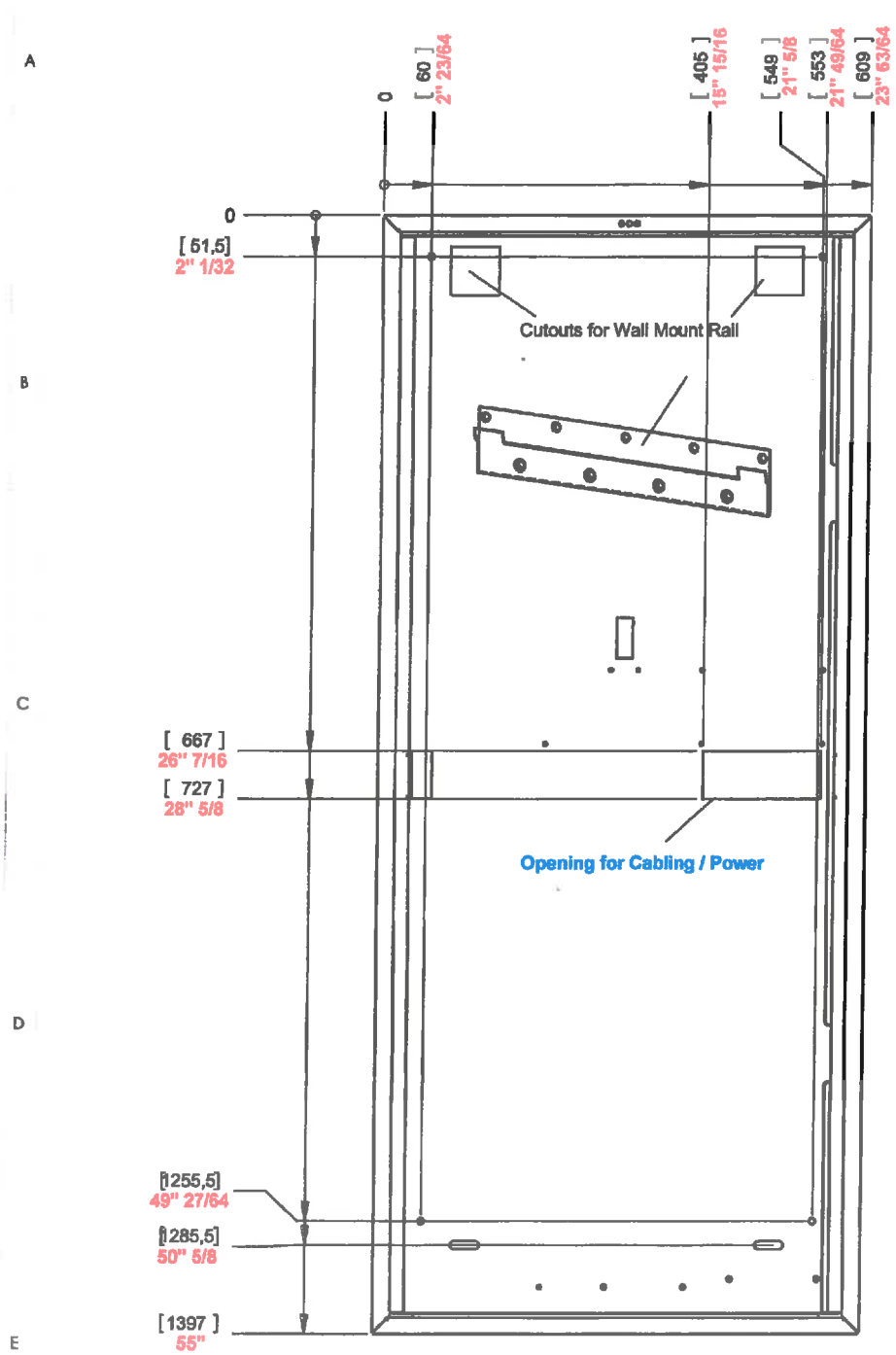
DO NOT SCALE DRAWING

1

2

3

4



Key Tracer, CTS Inc.

Tel: 1 604 941 8463
Fax: 1 604 941 8480

No. Items
Drawing

Norm.

Date
11/10/2008

Name

Scale: 1:8

Material :

Name:

Montage Flexx - 24HE
(Large)

All RED Dimensions are in Inches
All Dimensions are in mm
UNLESS OTHERWISE
SPECIFIED:
TOLERANCES: max 0.1mm

F

Date:

Sheet 1 OF 1

DO NOT SCALE DRAWING

EXHIBIT B: WORKERS' COMPENSATION COVERAGE



WORKING TO MAKE A DIFFERENCE

Assessment Department

Mailing Address

PO Box 5350
Station Terminal
Vancouver BC V6B 5L5

Location

6951 Westminster Highway
Richmond BC
V7C 1C6
www.worksafebc.com

Clearance Section

Telephone 604 244 6380
Toll Free within Canada
1 888 922 2768
Fax 604 244 6390

Canadian Time Systems Ltd.
16 - 1833 Coast Meridian
PORT COQUITLAM, BC V3C 6G5

October 09, 2013

**Person/Business : CANADIAN TIME SYSTEMS INC
CANADIAN TIME SYSTEMS
432216 AQ(040)**

We confirm that the above-mentioned account is currently **active and in good standing**.

This firm has had continuous coverage with us since February 01, 1990 and has satisfied assessment remittance requirements to **October 01, 2013**.

The next payment that will affect this firm's clearance status is due on October 20, 2013.

This information is only provided for the purposes of Section 51 of the *Workers Compensation Act*, which indicates that a person using a contractor or subcontractor to perform work may be responsible for unpaid assessments of the contractor or subcontractor.

Employer Service Centre
Assessment Department

Clearance Reference # : C127486972
CLRA1A

Now you can report payroll and pay premiums online.

Visit www.worksafebc.com

Please refer to your account number in your correspondence or when contacting the Assessment Department.

To alter this document constitutes fraud.

EXHIBIT C: INSURANCE CERTIFICATE

BROKER GNK Insurance - Vancouver 3295 West Broadway Vancouver, BC V6K 2H5 BROKER'S CLIENT ID: CANAD08	This certificate is issued as a matter of information only and confers no rights upon the certificate holder. This certificate does not amend, extend or alter the coverage afforded by the policies below. COMPANIES AFFORDING COVERAGE COMPANY A INTACT Insurance COMPANY B COMPANY C COMPANY D
INSURED'S FULL NAME AND MAILING ADDRESS Canadian Time Systems, Inc. dba Keytracer Unit 16-1833 Coast Meridian Rd Port Coquitlam, BC V3C 6G5	

COVERAGES

This is to certify that the policies of insurance listed below have been issued to the insured named above for the policy period indicated, notwithstanding any requirement, term or condition of any contract or other document with respect to which this certificate may be issued or may pertain. The insurance afforded by the policies described herein is subject to all the terms, exclusions and conditions of such policies.

LIMITS SHOWN MAY HAVE BEEN REDUCED BY PAID CLAIMS.

TYPE OF INSURANCE	CO LTR	POLICY NUMBER	POLICY EFFECTIVE DATE (YY/MM/DD)	POLICY EXPIRATION DATE (YY/MM/DD)	LIMITS OF LIABILITY (Canadian dollars unless indicated otherwise)	
COMMERCIAL GENERAL LIABILITY					EACH OCCURRENCE	\$ 3000000
<input type="checkbox"/> CLAIMS MADE OR <input checked="" type="checkbox"/> OCCURRENCE	A				GENERAL AGGREGATE	\$
<input checked="" type="checkbox"/> PRODUCTS AND / OR COMPLETED OPERATIONS	A	5A1177870	13/06/30	14/06/30	PRODUCTS - COMPIOP AGG	\$ 3000000
<input type="checkbox"/> EMPLOYERS'S LIABILITY					PERSONAL INJURY	\$ 3000000
<input checked="" type="checkbox"/> CROSS LIABILITY	A				TENANT'S LEGAL LIABILITY	\$ 500000
<input checked="" type="checkbox"/> TENANT'S LEGAL LIABILITY	A				MED EXP (Any one person)	\$ 10000
<input checked="" type="checkbox"/> NON-OWNED	A				NON-OWNED AUTO	\$ 3000000
<input type="checkbox"/> HIRED					OPTIONAL POLLUTION LIABILITY EXTENSION	\$
<input type="checkbox"/> POLLUTION LIABILITY EXTENSION					(Per Occurrence)	\$ 1000
					(Aggregate)	\$
AUTOMOBILE LIABILITY					BODILY INJURY PROPERTY DAMAGE COMBINED	\$
<input type="checkbox"/> DESCRIBED AUTOMOBILES					BODILY INJURY (Per person)	\$
<input type="checkbox"/> ALL OWNED AUTOS					BODILY INJURY (Per accident)	\$
<input type="checkbox"/> LEASED AUTOMOBILES					PROPERTY DAMAGE	\$
<small>** ALL AUTOMOBILES LEASED IN EXCESS OF 30 DAYS WHERE THE INSURED IS REQUIRED TO PROVIDE INSURANCE</small>						
EXCESS LIABILITY					EACH OCCURRENCE	\$
<input type="checkbox"/> UMBRELLA FORM					AGGREGATE	\$
<input type="checkbox"/> OTHER THAN UMBRELLA FORM						
<small>(Specify)</small>						
OTHER LIABILITY (SPECIFY)						

ADDITIONAL INSURED City of Columbus	DESCRIPTION OF OPERATIONS/LOCATIONS/AUTOMOBILES/SPECIAL ITEMS Sales, Service, and Installation of Clocks and Time Clocks
---	--

CERTIFICATE HOLDER City of Columbus Purchasing Office 77 N Front Street Colubus, OH 43215	CANCELLATION Should any of the above described policies be cancelled before the expiration date thereof, the issuing company will endeavor to mail _____ days written notice to the certificate holder named to the left, but failure to mail such notice shall impose no obligation or liability of any kind upon the company, its agents or representatives.
--	--

SIGNATURE OF AUTHORIZED REPRESENTATIVE 	PRINT NAME INCLUDING POSITION HELD Patrick North Insurance Broker		
FAX NUMBER 604-731-7107	EMAIL ADDRESS patrick@gnkinsurance.com	COMPANY GNK Insurance Services Inc.	DATE 13/10/09