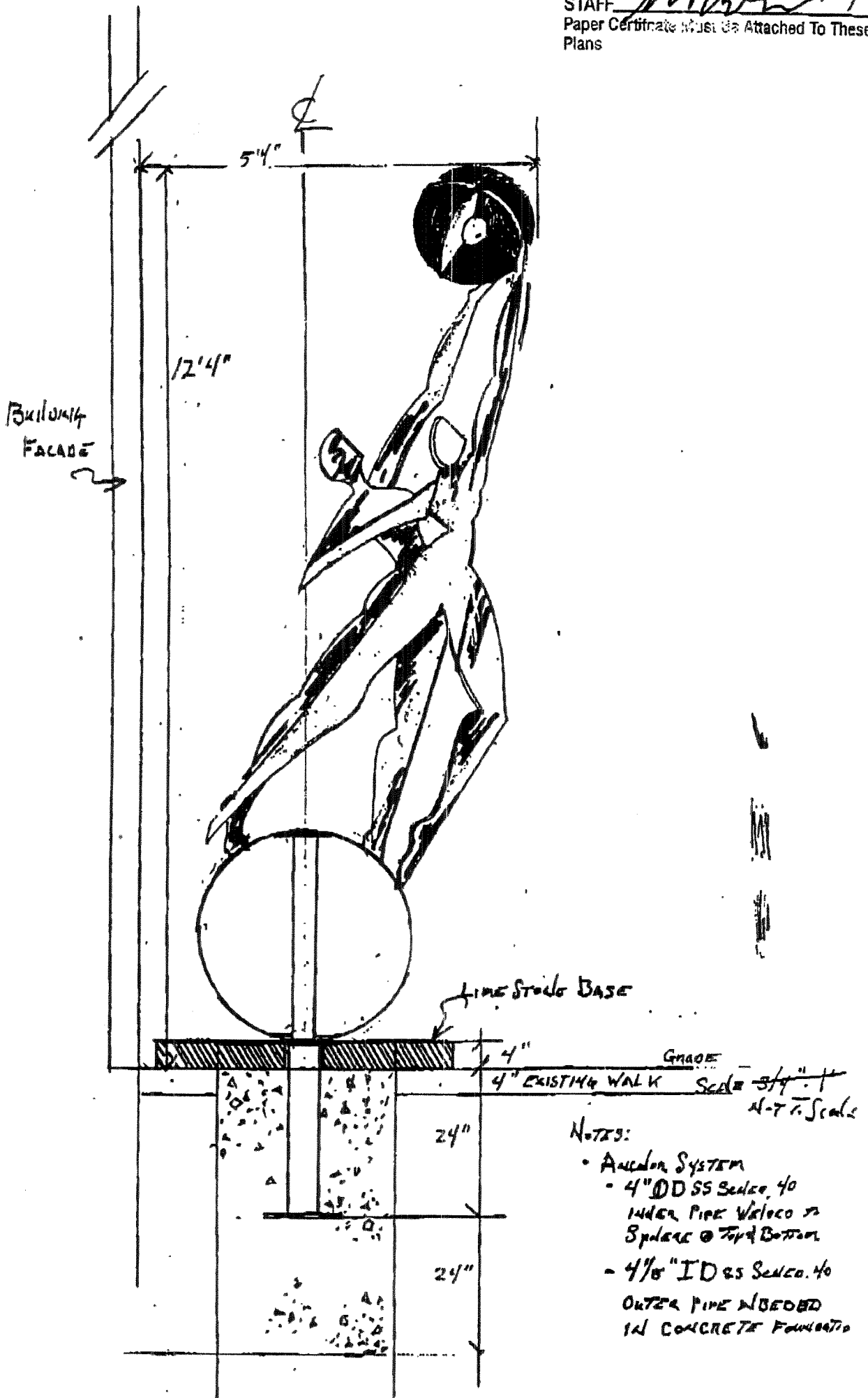
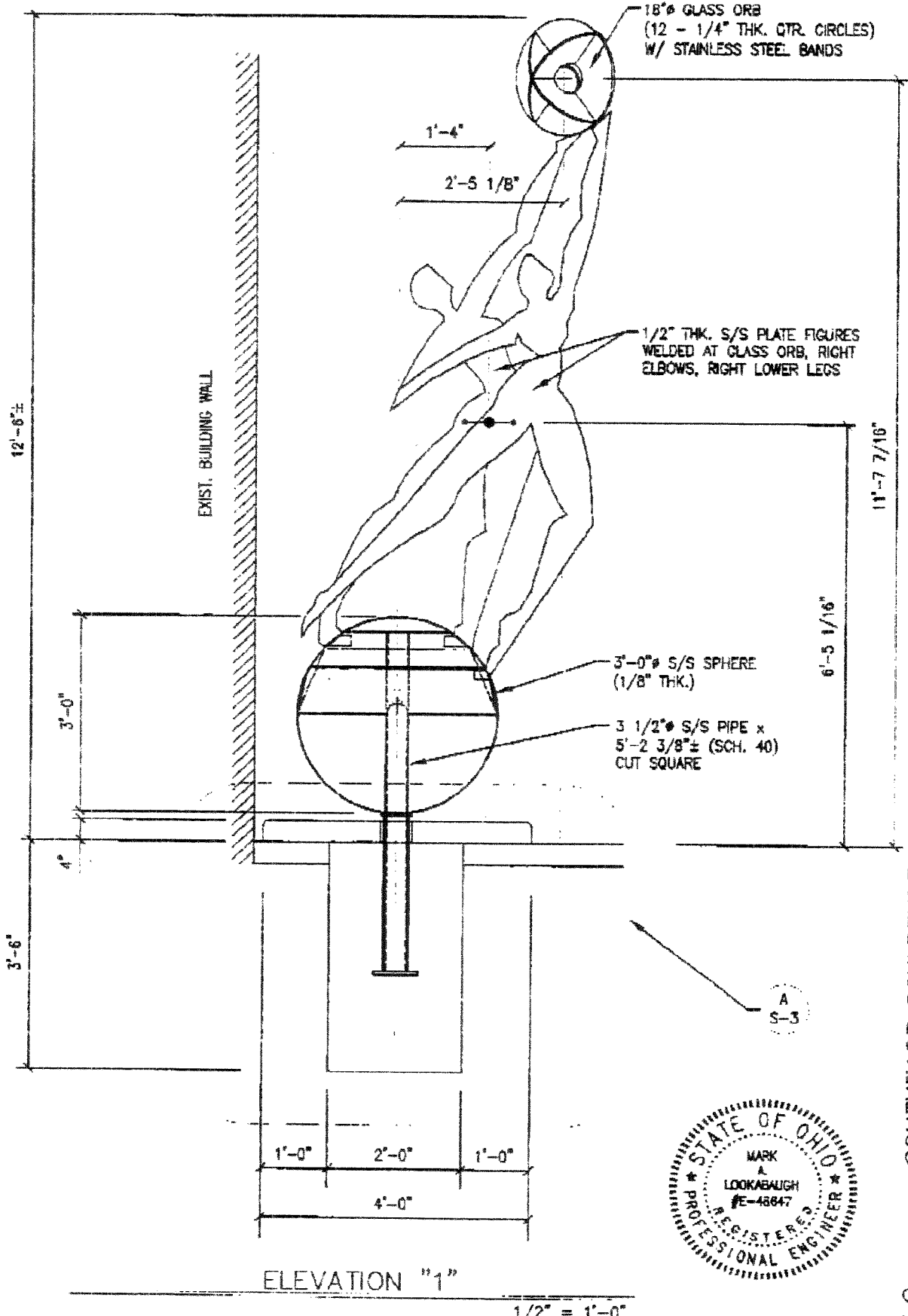


CERTIFICATE OF
 APPROPRIATENESS
 DOWNTOWN COMMISSION
 DATE GRANTED 5/23/03
 STAFF [Signature]
 Paper Certificate Must Be Attached To These
 Plans



- NOTES:
- ANCHOR SYSTEM
 - 4" DD SS SLEEVE 40
 INNER PIPE W/ RIGID SPHERE @ TOP & BOTTOM
 - 4 1/8" ID SS SLEEVE 40
 OUTER PIPE W/ BEDDED
 IN CONCRETE FOUNDATION

BASE, ANCHOR SYSTEM & FOUNDATION Cement Studios
 P. 2. © 2003

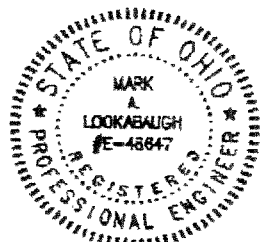


MARK A. LOOKABAUGH, P.E.
CONSULTING STRUCTURAL ENGINEER

2033 Swansford Drive Dublin, Ohio 43019 (614) 766-2066

SOUTHEAST SCULPTURE
East Long Street Columbus, Ohio
CANNETO STUDIOS

ME
6-22-03
03102

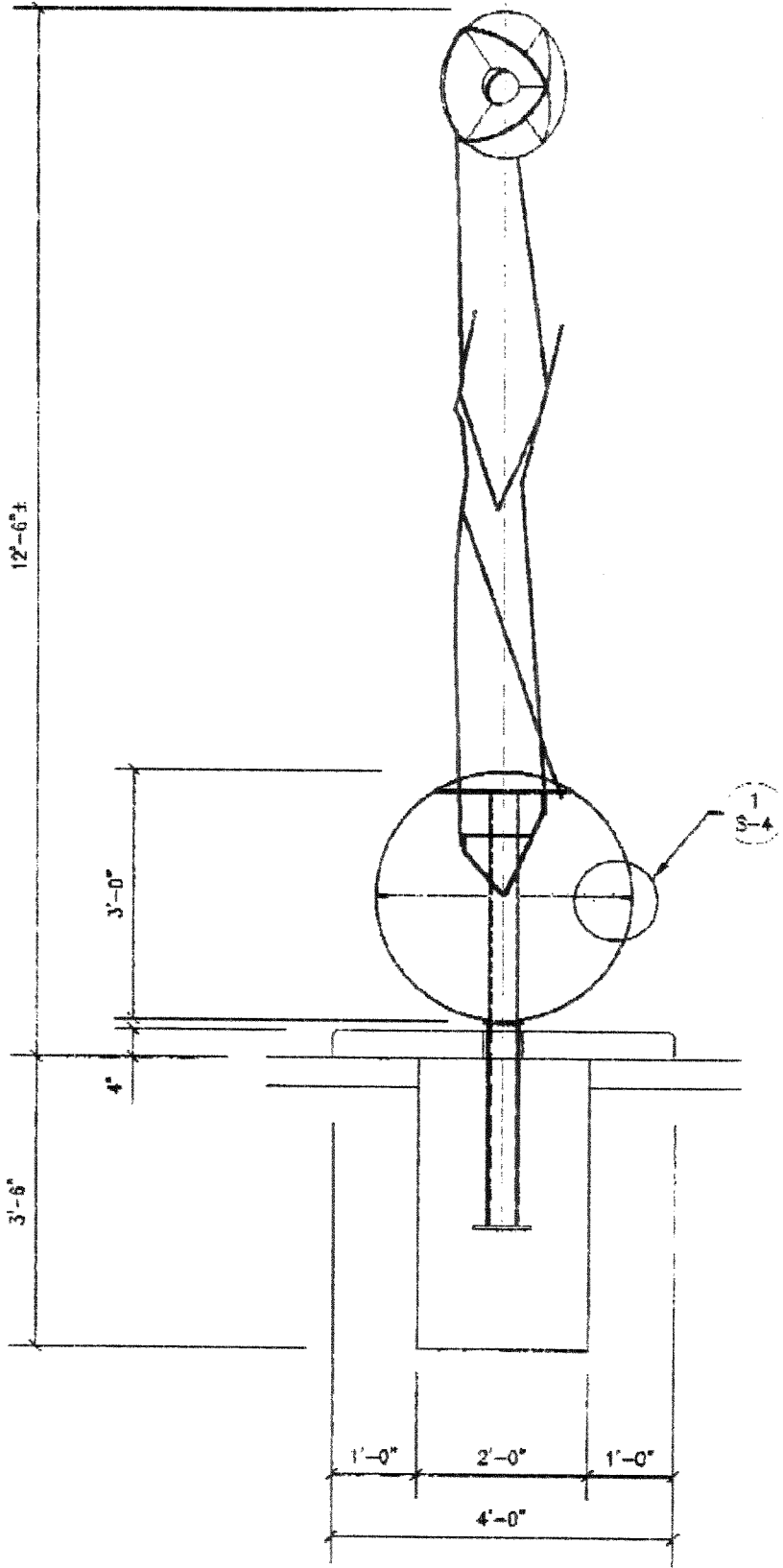


A
S-3

ELEVATION "1"

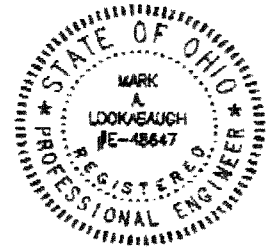
1/2" = 1'-0"

S-1



ELEVATION "2"

1/2" = 1'-0"

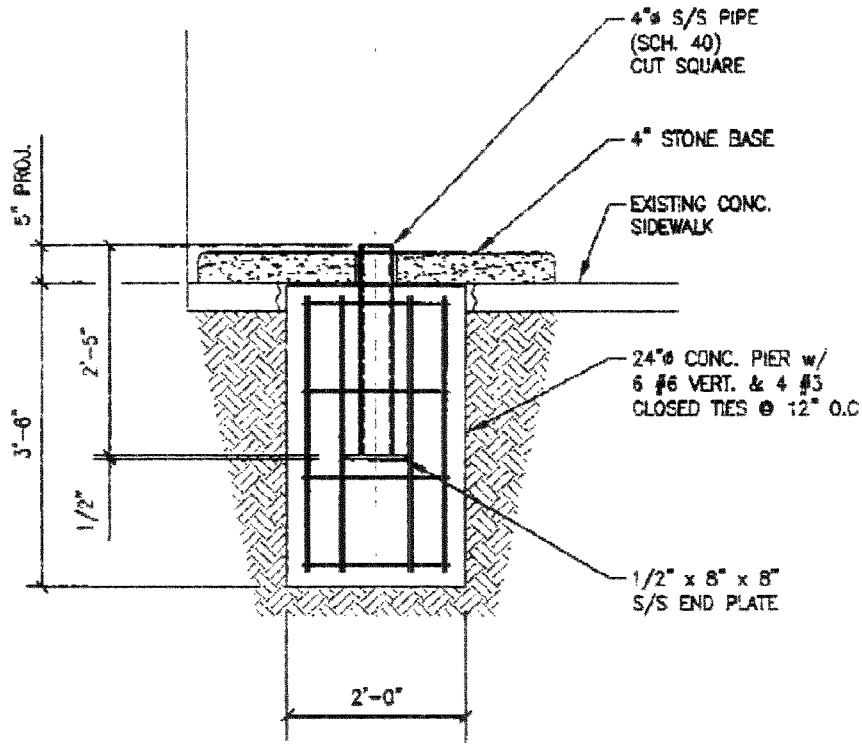


SOUTHEAST SCULPTURE
 East Long Street
 Columbus, Ohio
 CANNETO STUDIOS

MAE
 6-22-03
 03102

MARK A. LOOKABAUGH, P.E.
 CONSULTING STRUCTURAL ENGINEER
 2033 Sweetsford Drive Dublin, Ohio 43016 (614) 766-2066

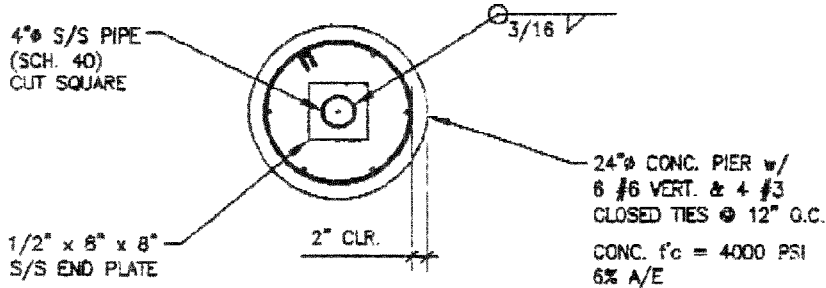
S-2



SECTION

A

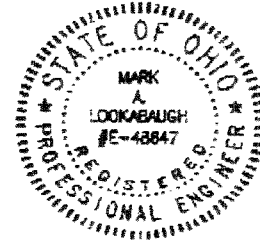
1/2" = 1'-0"



PLAN DETAIL

B

1/2" = 1'-0"



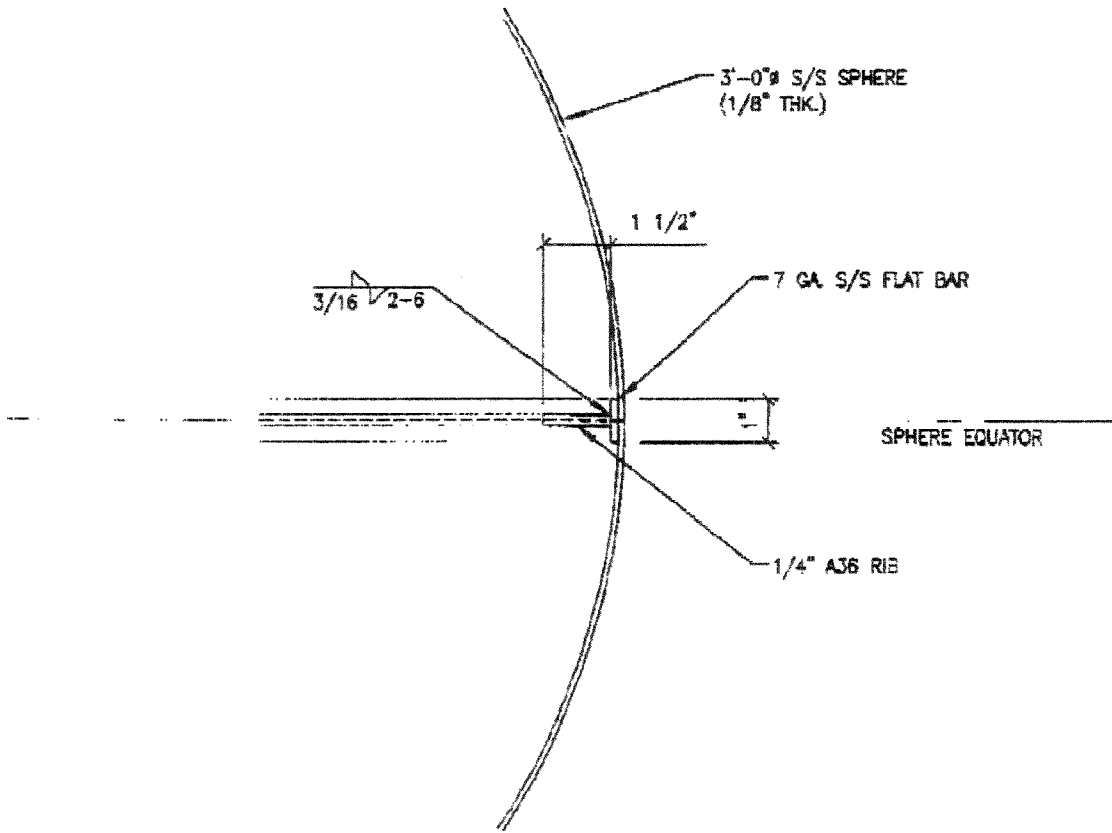
MARK A. LOOKABAUGH, P.E.
CONSULTING STRUCTURAL ENGINEER

2033 Swannford Drive Dublin, Ohio 43016 (614) 766-2066

SOUTHEAST SCULPTURE
East Long Street
Columbus, Ohio
CANNETO STUDIOS

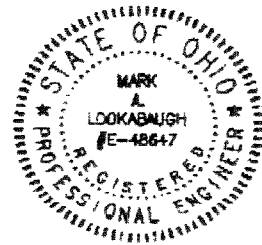
SCALE
9-22-03
03102

S 3



DETAIL

3" = 1'-0"



SOUTHEAST SCULPTURE
 East Long Street
 Columbus, Ohio
 CANNETO STUDIOS

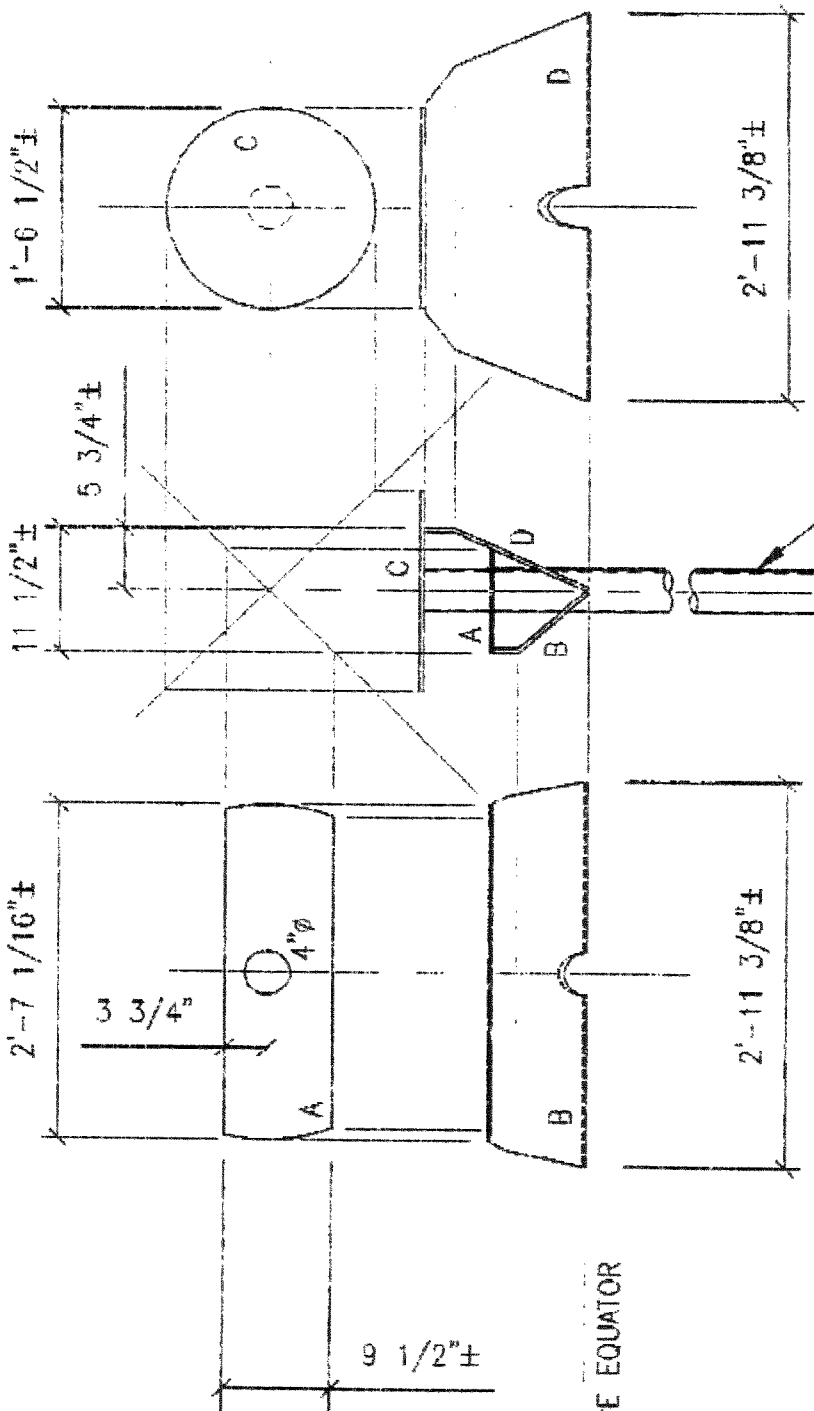
ME
 6-22-03
 03102

S-4

MARK A. LOOKABAUGH, P.E.
 CONSULTING STRUCTURAL ENGINEER
 2033 Swansford Drive
 Dublin, Ohio 43016 (614) 766-2006

2033 Swansford Drive Dublin, Ohio 43018 (614) 765 2066

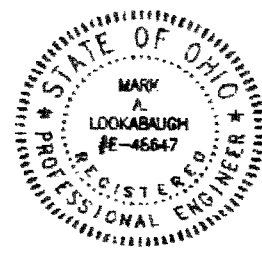
MARK A. LOOKABAUGH, P.E.
CONSULTING STRUCTURAL ENGINEER



- A - 1/4" A36 PLATE
- B - 3/8" A36 BENT PLATE
- C - 3/8" A36 PLATE
- D - 3/8" A36 BENT PLATE

SPHERE EQUATOR

DETAIL (2) (2)
3/4" = 1'-0"



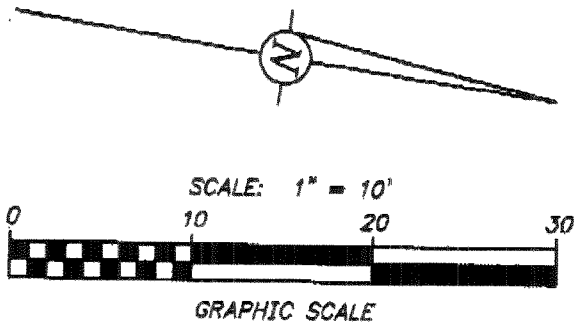
SOUTHEAST SCULPTURE
East Long Street
Columbus, Ohio

SE
CANNETO STUDIOS

W. LONG STREET ~ 82.50'

INLOT 287

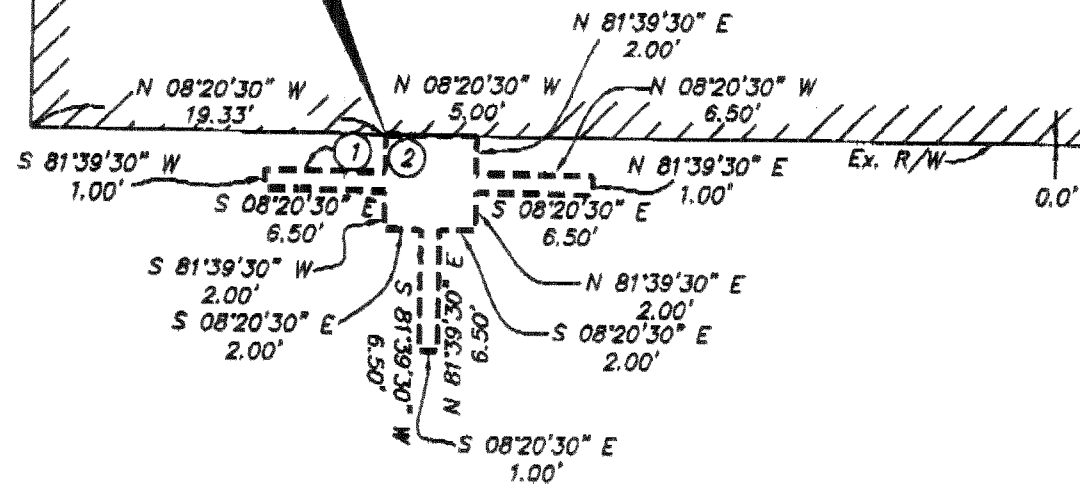
INLOT 286



EX. 6-Story Brick & Stone Building
131 N. HIGH ST.

- ① N 08°20'30" W 6.50'
- ② S 81°39'30" W 2.00'

PLACE OF BEGINNING OF A SCULPTURE EASEMENT



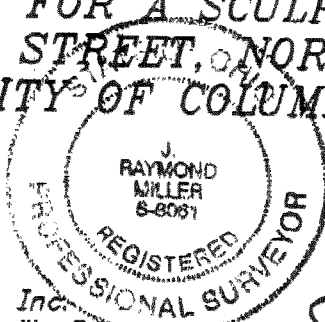
N. HIGH STREET ~ 100'

BASIS OF BEARINGS: The west line of N. High Street, being S 08° 20' 30" E, as shown of record in O.R. 23387, Pg. A 01, Recorder's Office, Franklin County, Ohio.

EXHIBIT FOR A SCULPTURE EASEMENT ALONG N. HIGH STREET, NORTH OF W. LONG STREET, CITY OF COLUMBUS, OHIO

SCALE: 1" = 10'

APRIL 26, 2004



C.F. Bird & R.J. Bull, Inc.
2875 W. Dublin-Granville Rd.
Columbus, Ohio 43235

By Jay R. Miller
By R. Miller ~ Ohio Surveyor No. 8061