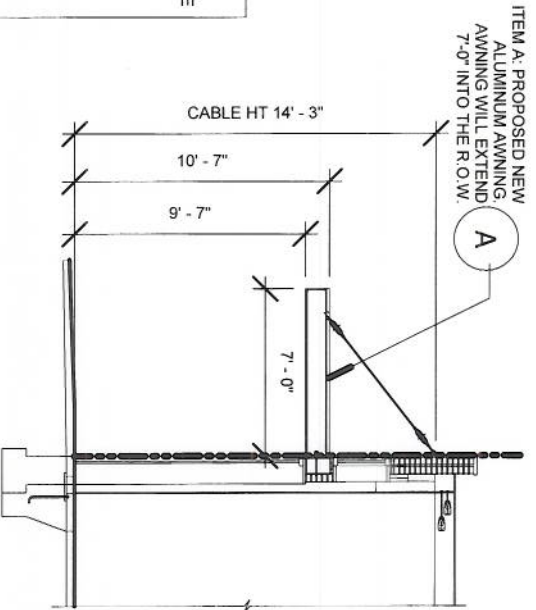


PROPOSED ENCROACHMENT:	ITEM A: ALUMINUM AWNING
QUANTITY:	1
BOTTOM HEIGHT:	9' - 7"
TOP HEIGHT:	14' - 3"
PROJECTION DEPTH:	7' - 0"
LENGTH:	49' - 0"

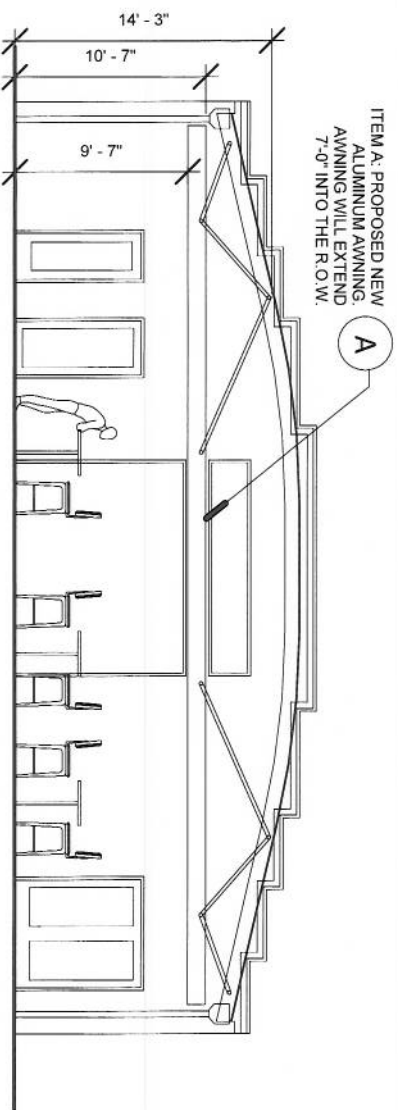
●●●●● ROW LINE

**PERMIT AND CONSTRUCTION REQUIREMENTS:**

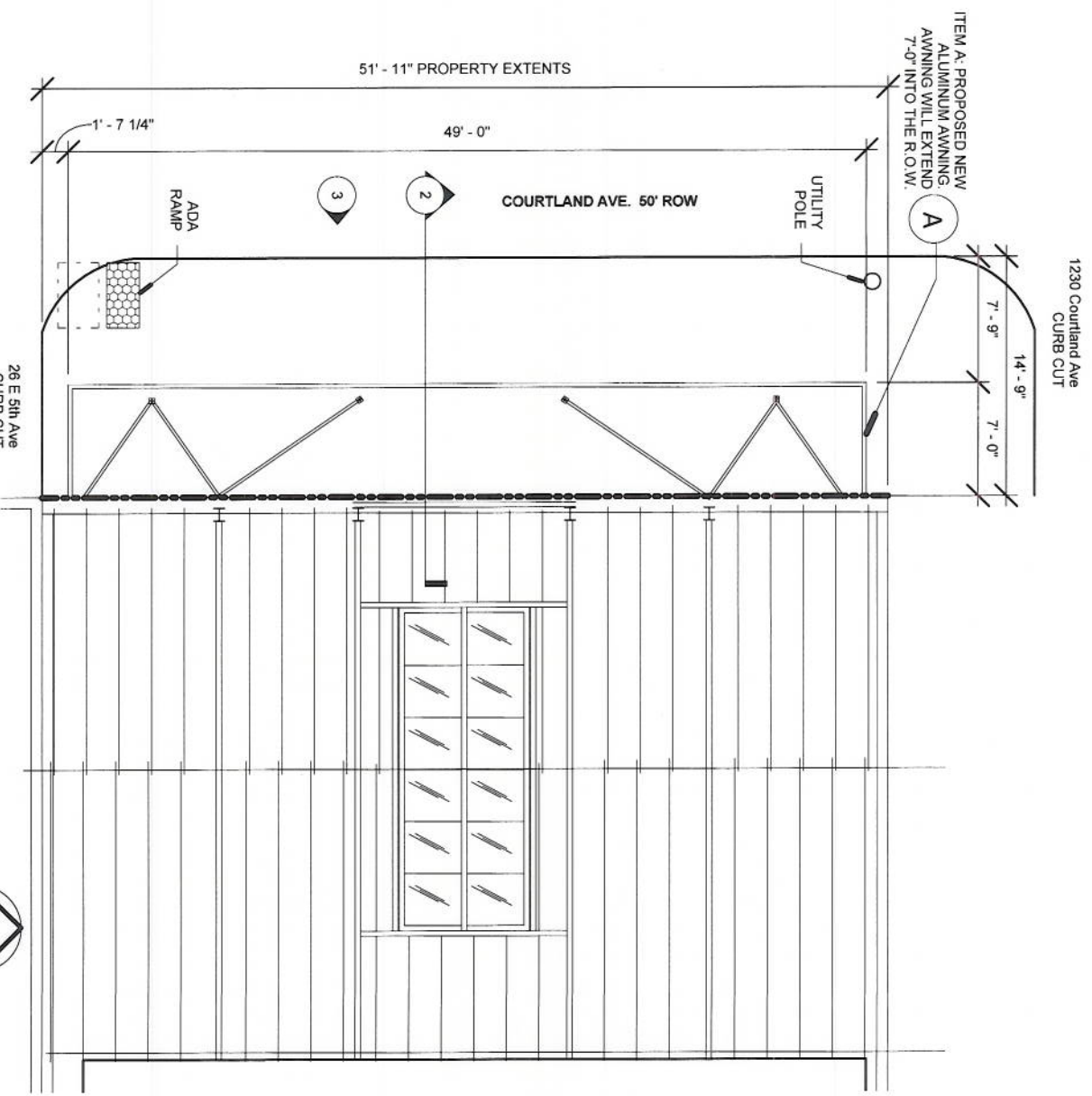
1. INSTALLATION OF THE PROPOSED AWNING MUST MAKE SUBMITTAL TO AND GAIN APPROVAL FOR INSTALLATION IN ACCORDANCE WITH THE APPLICABLE SECTIONS OF THE OHIO BUILDING CODE, INCLUDING SECTIONS 3105 AWNINGS AND CANOPIES, AND SECTION 3203.3 ENCROACHMENTS 8 FEET OR MORE ABOVE GRADE.
2. AWNINGS SHALL BE CONSTRUCTED AND MAINTAINED SO AS TO SUPPORT THE APPLICABLE LOADS AS SPECIFIED IN CHAPTER 16, OBC.
3. AWNING WITH LESS THAN 15 FEET CLEARANCE ABOVE THE SIDEWALK SHALL NOT EXTEND INTO OR OCCUPY MORE THAN TWO-THIRDS THE WIDTH OF THE SIDEWALK MEASURED FROM THE BUILDING.



2 Aluminum Awning Row Encroachment Section  
SCALE: 1/8" = 1'-0"



3 Aluminum Awning Row Encroachment Elevation  
SCALE: 3/32" = 1'-0"



1 Aluminum Awning Row Encroachment Plan  
SCALE: 3/32" = 1'-0"



MIDDLE WEST SPIRITS  
10.11.2016

# Aluminum Awning Row Encroachment

SCALE: As indicated