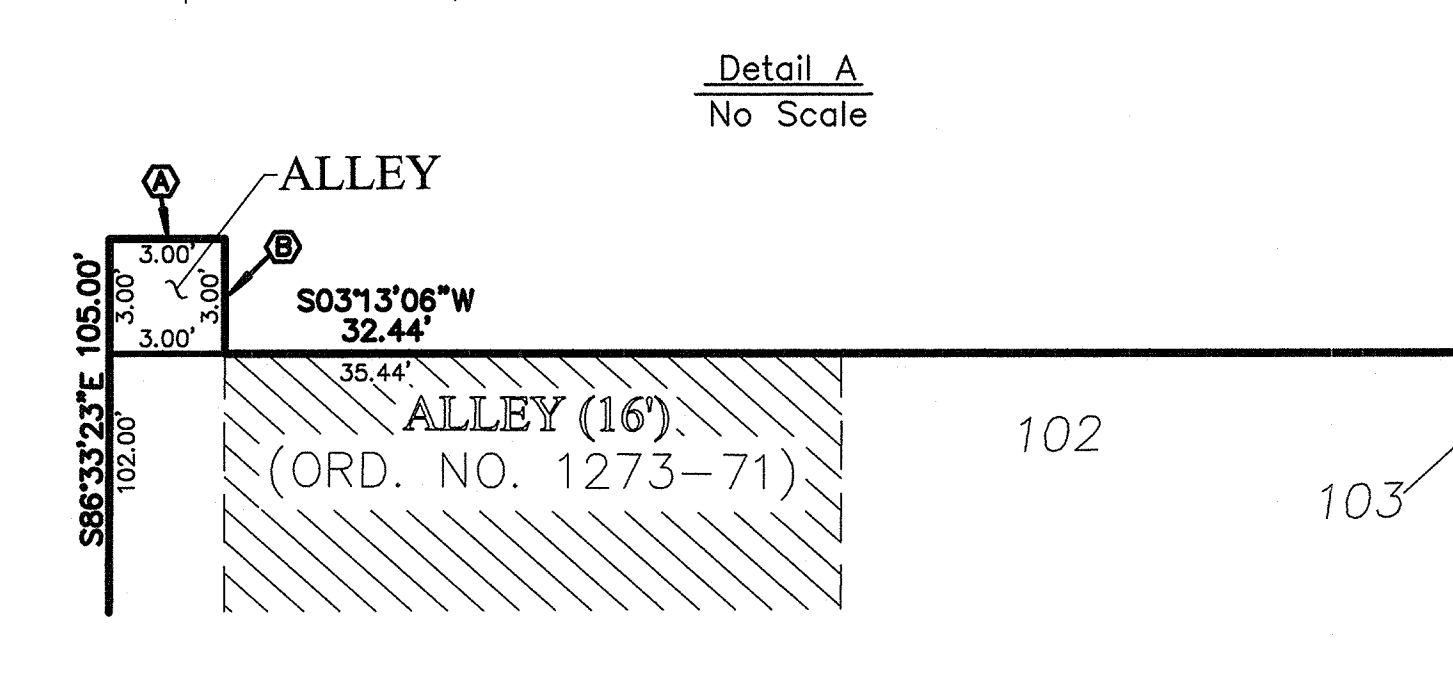
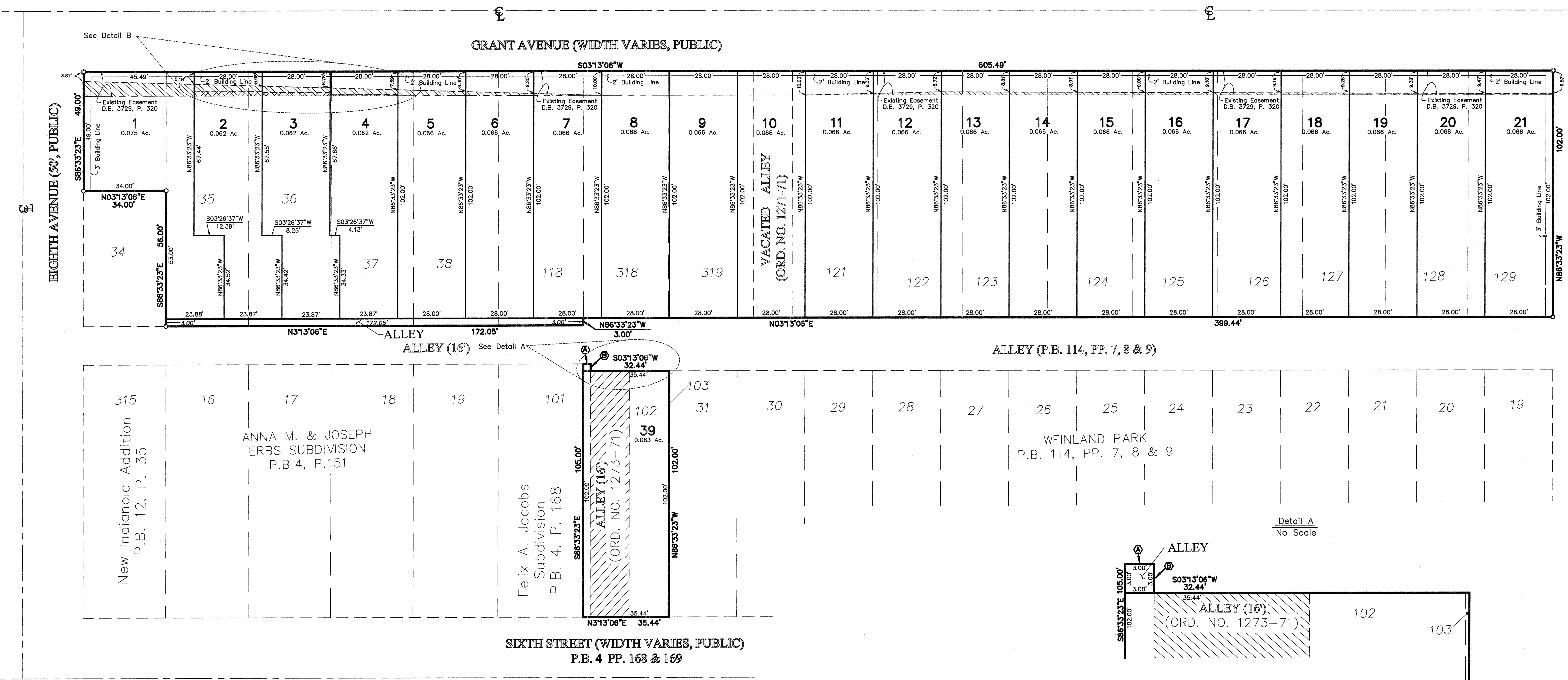
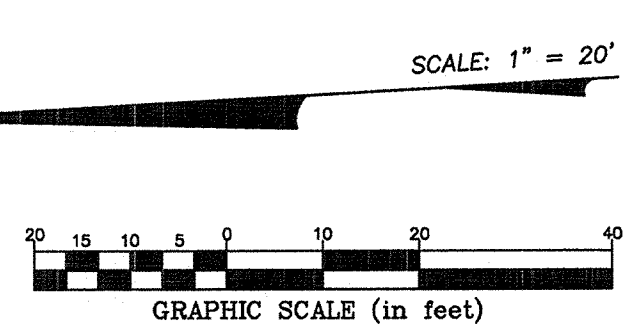
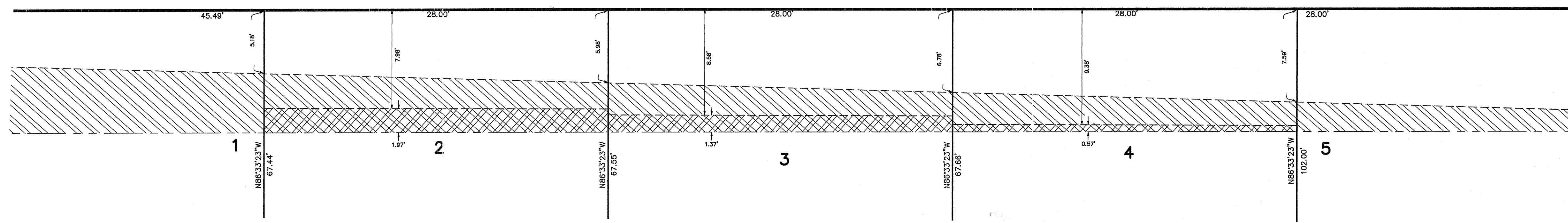


GRANT AVENUE HOMES



Detail B
No Scale



- = Alley to be vacated
See Note "D"
- = Portion of Easement to be released
D.B. 3729, P. 320
See Note "E"
- = Easement Encroachment Area
D.B. 3729, P. 320
See Note "F"
- S03°13'06"W
3.00'
- N86°33'23"W
3.00'