

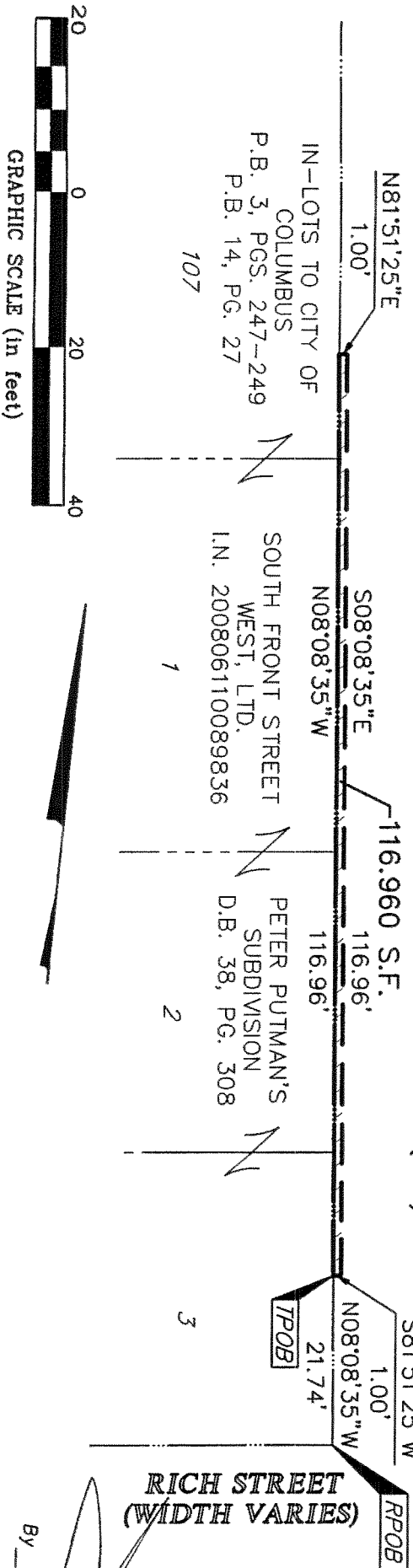
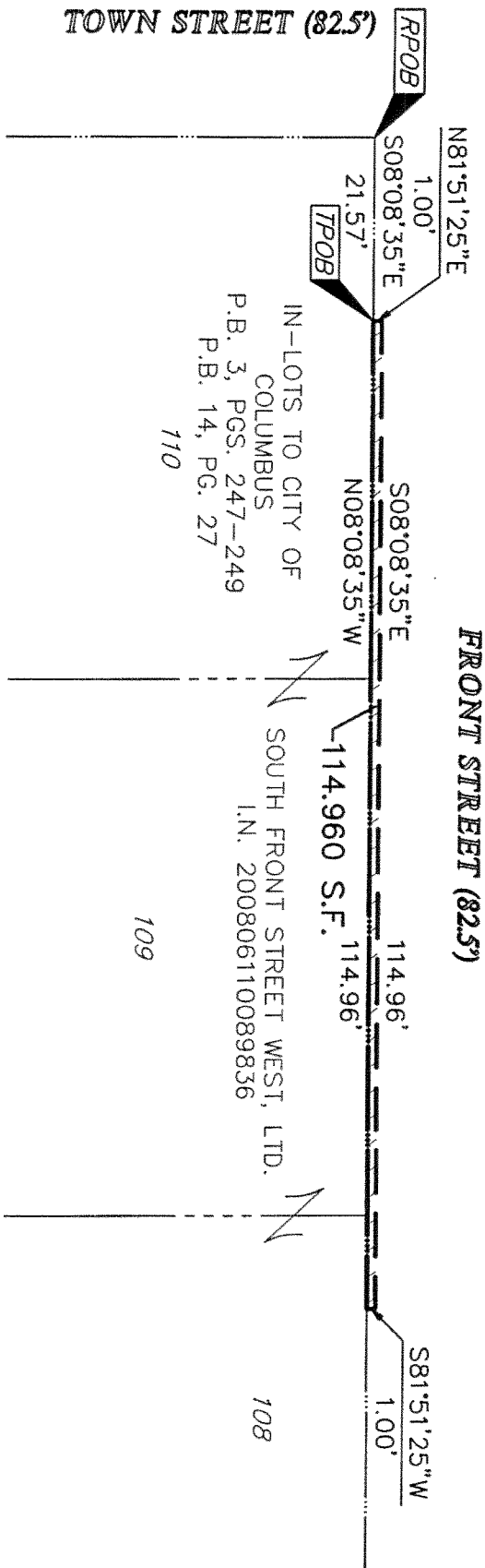


Evans, Mechwart, Hambleton & Tilton, Inc.
 Engineers • Surveyors • Planners • Scientists
 5500 New Albany Road, Columbus, OH 43054
 Phone: 614.775.4500 Fax: 614.775.4800

M C M X X V I

ENCROACHMENT EASEMENTS
SECTION II, TOWNSHIP 5, RANGE 22
REFUGEE LANDS
CITY OF COLUMBUS, COUNTY OF FRANKLIN, STATE OF OHIO

Date: September 16, 2008
 Scale: 1" = 20'
 Job No.: 2008-1711



GRAPHIC SCALE (in feet)



RICH STREET
(WIDTH VARIES)



By Professional Surveyor No. 8250
 9/16/08



Evans, Mechwart, Hambleton & Jillon, Inc.
 Engineers • Surveyors • Planners • Scientists
 5500 New Albany Road, Columbus, OH 43054
 Phone: 614.775.4500 Fax: 614.775.4800

M C M X X X Y I

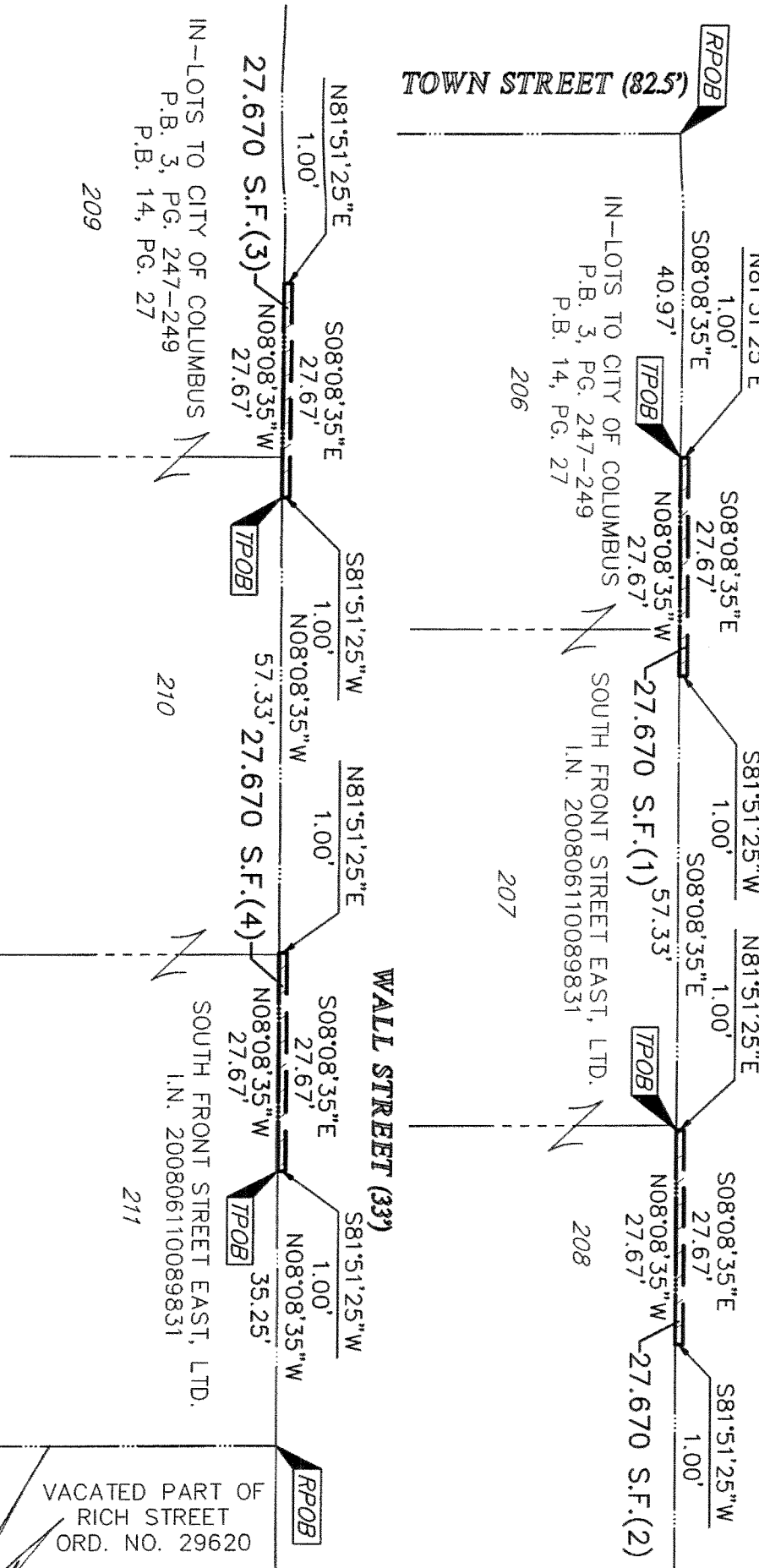
ENCROACHMENT EASEMENTS
SECTION II, TOWNSHIP 5, RANGE 22
REFUGEE LANDS
CITY OF COLUMBUS, COUNTY OF FRANKLIN, STATE OF OHIO

Date: September 16, 2008
 Scale: 1" = 20'
 Job No: 2008-1711

TOWN STREET (82.5')

WALL STREET (33')

WALL STREET (33')

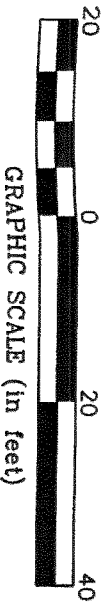


VACATED PART OF RICH STREET
 ORD. NO. 29620

RICH STREET
(WIDTH VARIES)



By *[Signature]*
 Professional Surveyor No. 8250
 9/16/08



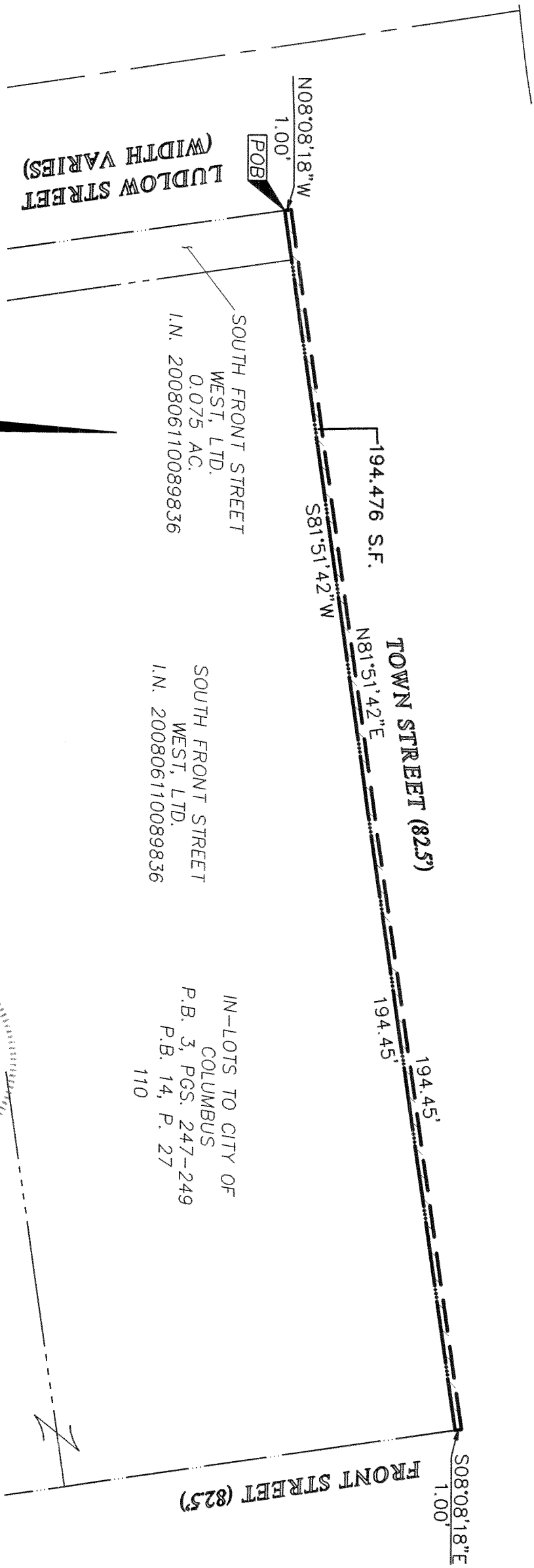


Evans, Mechwart, Hambleton & Tifton, Inc.
 Engineers • Surveyors • Planners • Scientists
 5500 New Albany Road, Columbus, OH 43054
 Phone: 614.775.4500 Fax: 614.775.4800

M C M X X V I

ENCROACHMENT EASEMENTS
SECTION II, TOWNSHIP 5, RANGE 22
REFUGEE LANDS
CITY OF COLUMBUS, COUNTY OF FRANKLIN, STATE OF OHIO

Date: June 9, 2009
 Scale: 1" = 20'
 Job No: 2008-1711

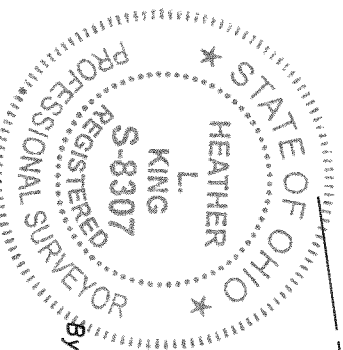


LUDLOW STREET
 (WIDTH VARIES)

SOUTH FRONT STREET
 WEST, LTD.
 0.075 AC.
 I.N. 200806110089836

SOUTH FRONT STREET
 WEST, LTD.
 I.N. 200806110089836

IN-LOTS TO CITY OF
 COLUMBUS
 P.B. 3, PGS. 247-249
 P.B. 14, P. 27
 110



By *Heather L. King*
 Professional Surveyor No. 8307