



Evans, Mechwart, Hambleton & Tilton, Inc.  
 Engineers • Surveyors • Planners • Scientists  
 5500 New Albany Road, Columbus, OH 43054  
 Phone: 614.775.4500 Toll Free: 888.775.3648

emht.com

# FOUNDATION ENCROACHMENT EASEMENTS

VIRGINIA MILITARY DISTRICT SURVEY No. 1393

BETWEEN THE ELEVATIONS OF 703.90 FEET AND 708.33 FEET

CITY OF COLUMBUS, COUNTY OF FRANKLIN, STATE OF OHIO

Date: August 17, 2020

Scale: 1" = 20'

Job No: 2020-0172

PLAN NO. 20345-174

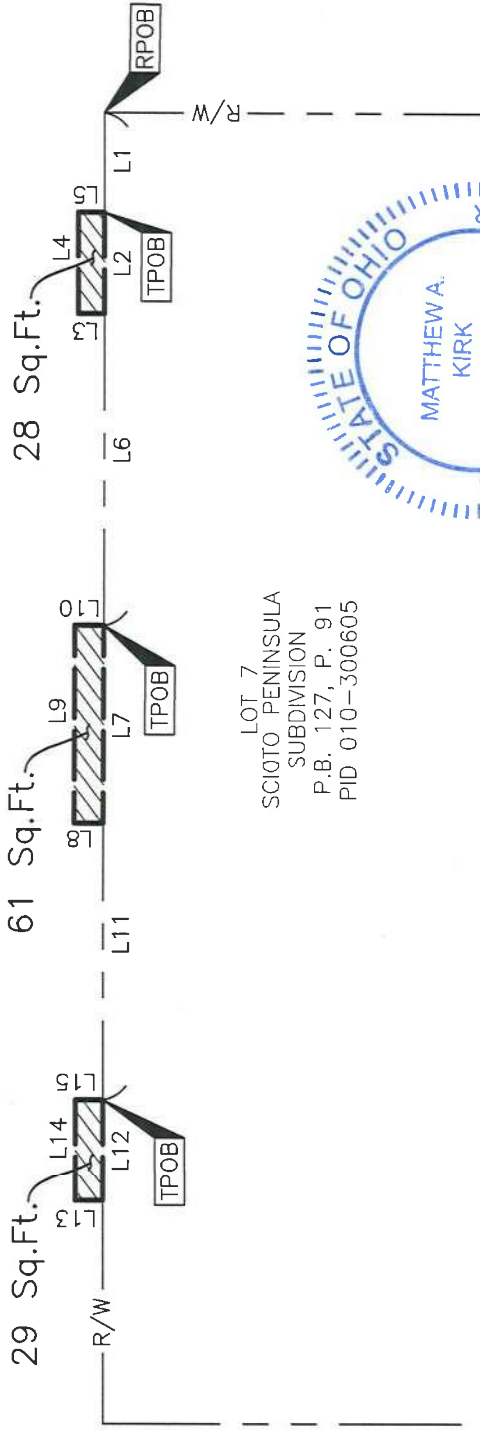
NORFOLK SOUTHERN RAILWAY COMPANY  
 L.N. 200710260186473

STATE STREET (66')

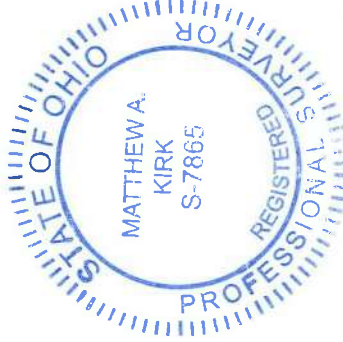
29 Sq.Ft.

61 Sq.Ft.

28 Sq.Ft.



LOT 7  
 SCIOTO PENINSULA  
 SUBDIVISION  
 P.B. 127, P. 91  
 PID 010-300605



**LEGEND**

- P/L PROPERTY LINE
- R/W RIGHT-OF-WAY
- POB POINT OF BEGINNING
- POB PROP. EASEMENT

Elevations stated above are based upon NAVD 88, utilizing a Franklin County Survey benchmark designated "Broad" with a published elevation of 733.940 feet.

Bearings are based on those shown on "Scioto Peninsula Subdivision", a subdivision of record in Plat Book 127, Page 91, Recorder's Office, Franklin County, Ohio.

By Matthew A. Kirk Date 17 Aug 20  
 Matthew A. Kirk  
 Professional Surveyor No. 7865  
 mkirk@emht.com

LINE TABLE		
LINE	BEARING	DISTANCE
L1	S81°50'30"W	10.40'
L2	S81°50'30"W	10.50'
L3	N08°04'10"W	2.68'
L4	N81°49'01"E	10.50'
L5	S08°04'10"E	2.68'
L6	S81°50'30"W	53.24'
L7	S81°50'30"W	20.50'
L8	N08°04'10"W	3.00'
L9	N81°50'30"E	20.50'
L10	S08°03'19"E	3.00'
L11	S81°50'30"W	102.35'
L12	S81°50'30"W	10.50'
L13	N08°10'05"W	2.82'
L14	N81°49'55"E	10.50'
L15	S08°09'30"E	2.82'



GRAPHIC SCALE (in feet)